



FUNDICIÓ DÚCTIL BENITO
Tel. 93 852 10 00

Drinking Fountain DUAL

DESIGNER:

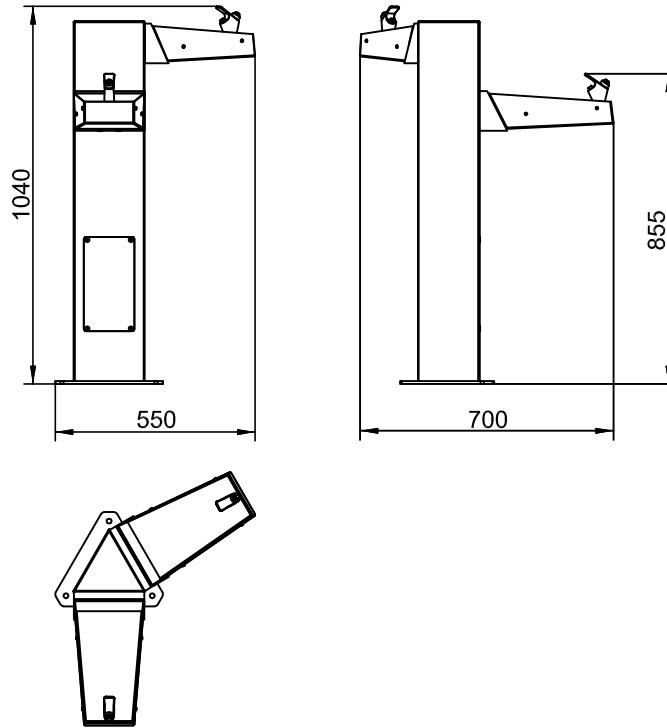
MANUFACTURER: Fundició Dúctil Benito

DIMENSIONS: mm

SCALE: s/e

UM540

REFERENCE



MATERIAL:

Triangular body, taps and trays in stainless steel.
Decorations in tropical wood.

ACABADOS:

Stainless steel. Wood treated with a preventive product
"LIGNUS fdb" fungicide and insecticide and water proofed.

ANCHORAGE:

Four M12 expanding bolts for anchoring to the ground.