

# WOODEN WD1503



1 - 8 years



25 kids



33,8 m<sup>2</sup>



## Material specification

- Construction made of the highest quality laminated, impregnated and double coated pine wood 90 x 90 mm without knots, secured from the top with polypropylene plugs,
- Metal anchors made of hot dip galvanized steel, protecting the wood from direct contact with the ground to prevent rot and to extend the product's life,
- Platforms, climbing walls and steps made of durable anti-slip and waterproof plywood or HPL plate,
- Structure for platforms made of hot-dip galvanized and powder coated steel;
- Roofs, side panels made of durable HDPE or HPL plate, resistant to weather conditions,
- Slides made of stainless steel with durable HDPE or HPL side panels,
- Educational panels and moving elements made of HDPE or HPL plate, resistant to weather conditions,
- Maze windows made of polycarbonate, balls made of synthetic material,
- Double wall tube passage made of polypropylene,
- Steel ropes in polypropylene braid, connected with durable plastic elements, stainless steel or aluminum,
- Calibrated stainless steel chains, preventing fingers entrapment,
- Stainless steel bars,
- Screws covered with plastic caps and/or stainless steel screws,
- Safe end caps made of polypropylene,



### Facilitating disability



easy access



integration



### Intellectual development



manipulation



sensorics



sight



thinking



### Physical development



sliding



passage



climbing



crawling





**2**  
number of towers



**1**  
number of slides



**2**  
number of roofs



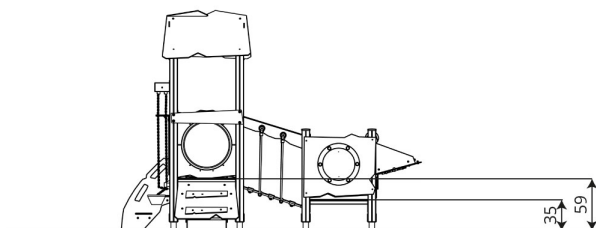
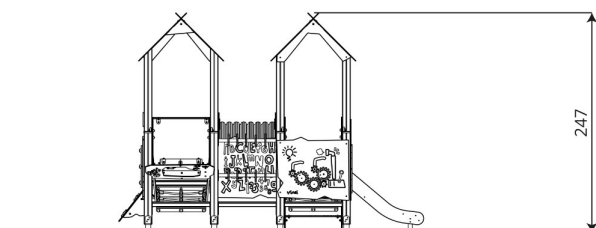
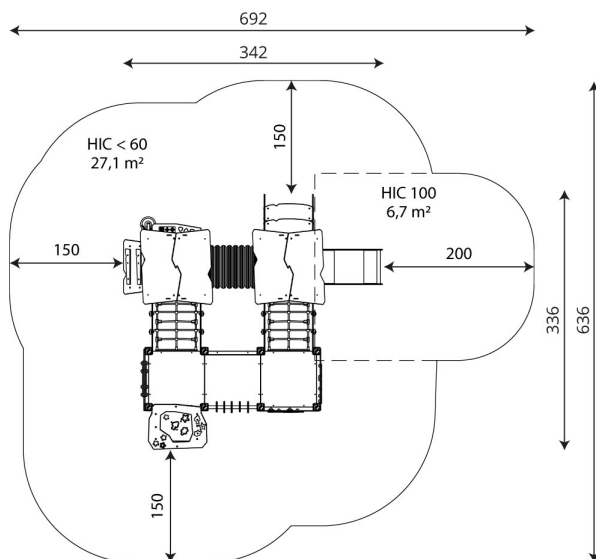
**7**  
number of interactive elements



**4**  
number of activity elements



stairs



**Product technical sheet**

**WOODEN WD1503**

**Product data**

|                                |             |
|--------------------------------|-------------|
| Length                         | 342 cm      |
| Width                          | 336 cm      |
| Total height                   | 247 cm      |
| Age group                      | 1 - 8 years |
| Number of users                | 25 kids     |
| Safety zone                    | 33,8 m2     |
| Free fall height               | <60 cm      |
| The height of the platforms    | 35, 59 cm   |
| slide platform height          | 59 cm       |
| In accordance with norm EN     | 1176-1:2017 |
| Weight of the heaviest part    | 12 kg       |
| Dimensions of the largest part | 197x9x9 cm  |
| Availability of spare parts    | YES         |
| Installation time              | 9 h         |

Color options

Data is subject to change without prior notice.

**Additional information**

- equipment adapted for the disabled; intended for public playgrounds;
- equipment has a certificate issued by an accredited entity or a declaration of conformity;
- no sharp edges or chinks that would pose a danger of jamming the head, fingers or any other body parts;
- anchoring on flat surface, 80/70/60 cm deep;
- slide should not be installed southwards;

**Guarantee**

**30** 30 year guarantee - Structural strength of steel and stainless steel components

**15** 15 year guarantee - Structural failure of steel and stainless steel, for dynamic equipment

**10** 10 year guarantee - Structural failure of high density polyethylene and high pressure laminates components

**5** 5 year guarantee - Corrosion of stainless steel and hot dip galvanized and powder coated components; against bark beetles and rot in case of wooden structural elements

Detailed information in the guarantee card

**Vinci Group Sp. z o.o.**  
Seminarnyja 9 Street  
99-400 Łowicz

VAT: 534-250-14-46  
PHONE: +48 42 203 24 99 ext. 26  
M: +48 793 404 991



biuro@vinci-play.com  
info@vinci-play.com  
[www.vinci-play.com](http://www.vinci-play.com)

## Surfaces according to EN 1176-1:2017

|                                 | Description (mm)             | Layer thickness (cm) | Maximum fall heights (cm) |
|---------------------------------|------------------------------|----------------------|---------------------------|
| Turf/ top layer of soil (A,B,C) | -                            | -                    | ≤100                      |
| bark (A,C)                      | Particle size from 20 to 80  | 30                   | ≤200                      |
|                                 |                              | 40                   | ≤300                      |
| woodchips (A,C)                 | Particle size from 5 to 30   | 30                   | ≤200                      |
|                                 |                              | 40                   | ≤300                      |
| sand or gravel (A,C)            | Particle size from 0,25 to 8 | 30                   | ≤200                      |
|                                 |                              | 40                   | ≤300                      |
| synthetic attested (A,B,C)      | Tested according to EN 1177  |                      | 100                       |

## Product technical sheet

# WOODEN WD1503

### Amount of safe surface corresponding with free fall height:

HIC <60 27,1 m<sup>2</sup>

HIC 100 6,7 m<sup>2</sup>

Data is subject to change without prior notice.

