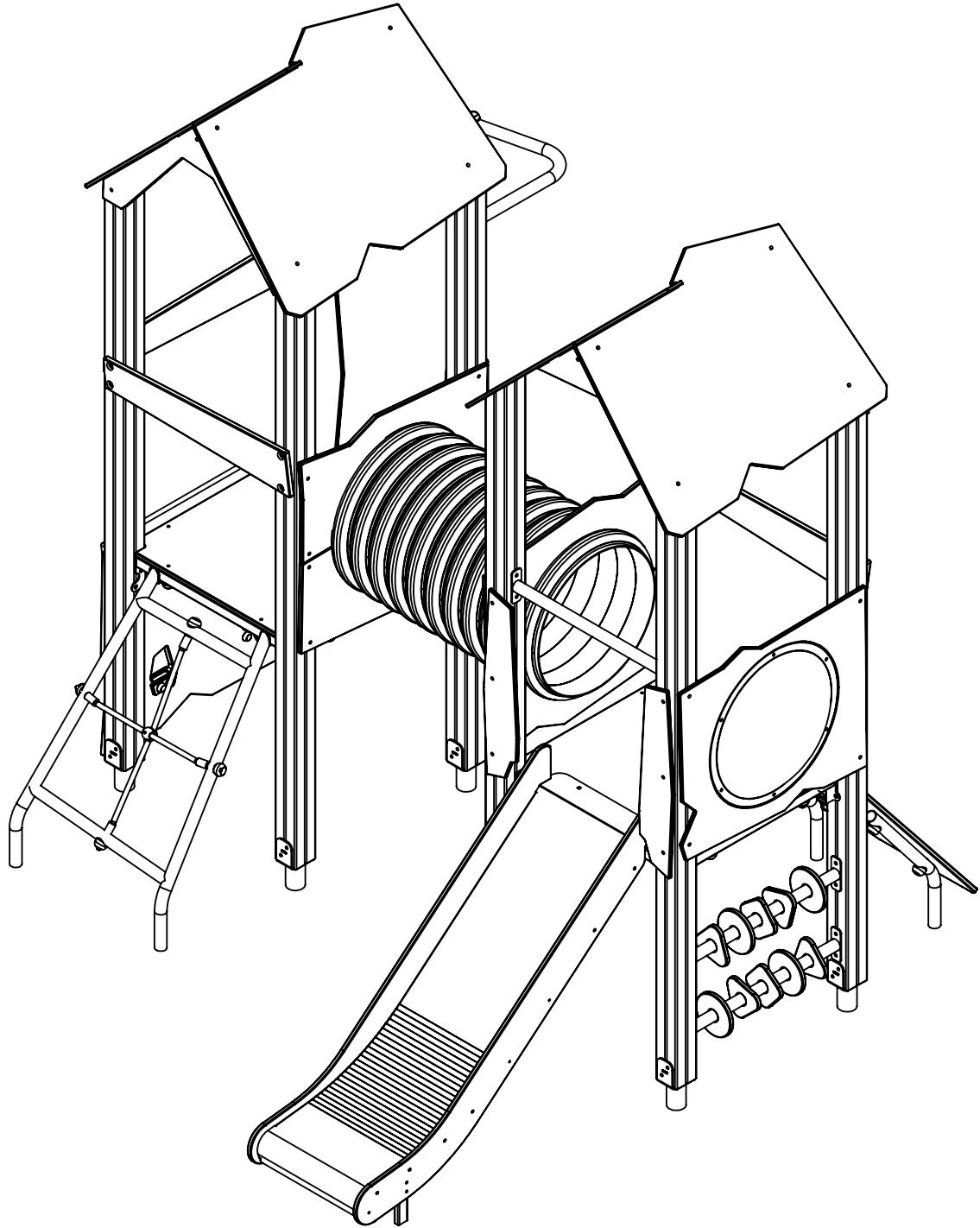
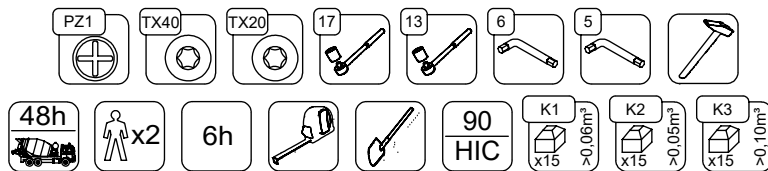


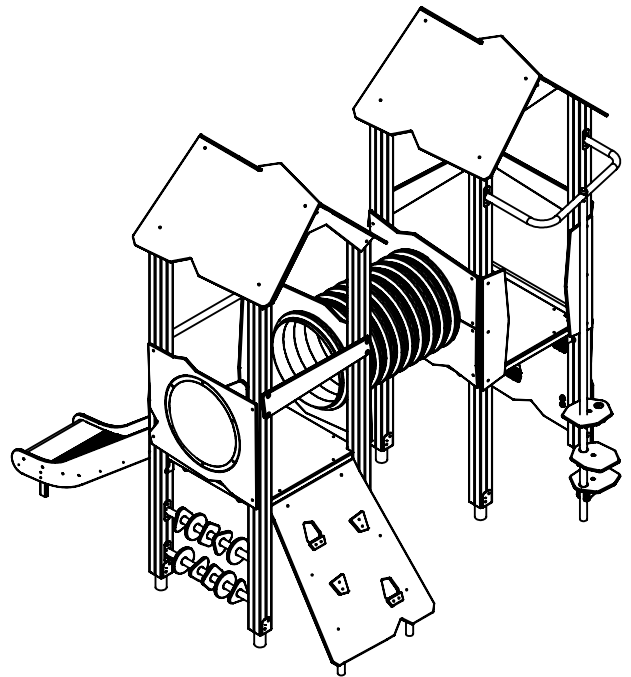
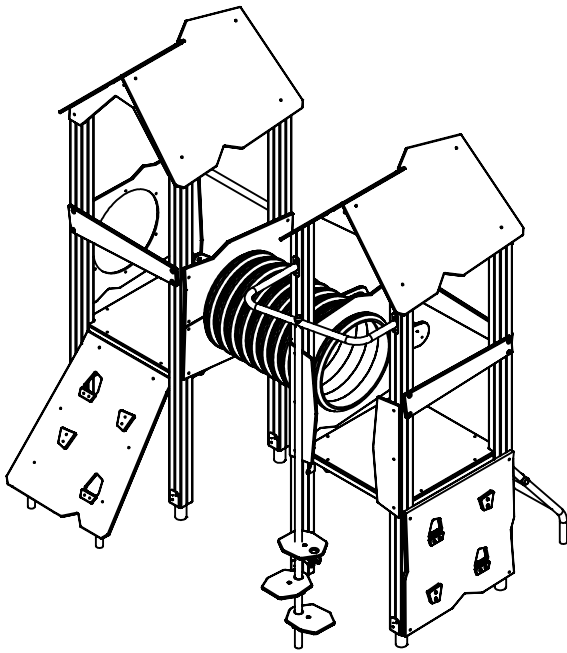
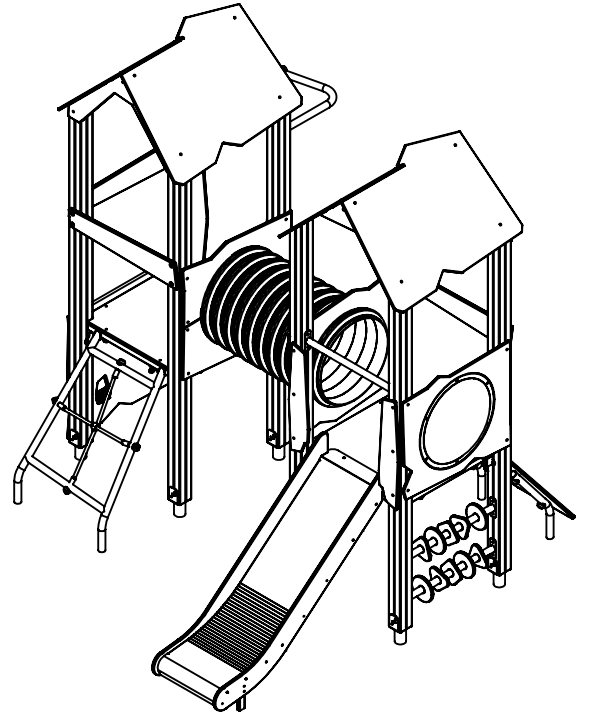
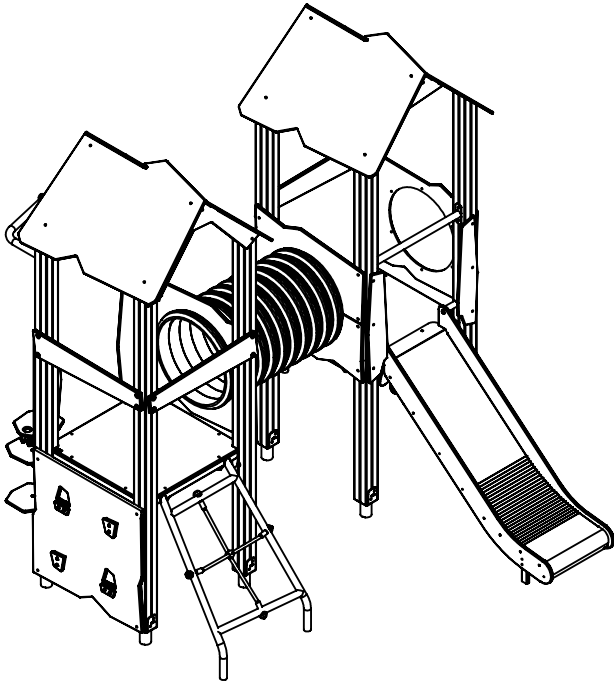
# WD/RC 1407

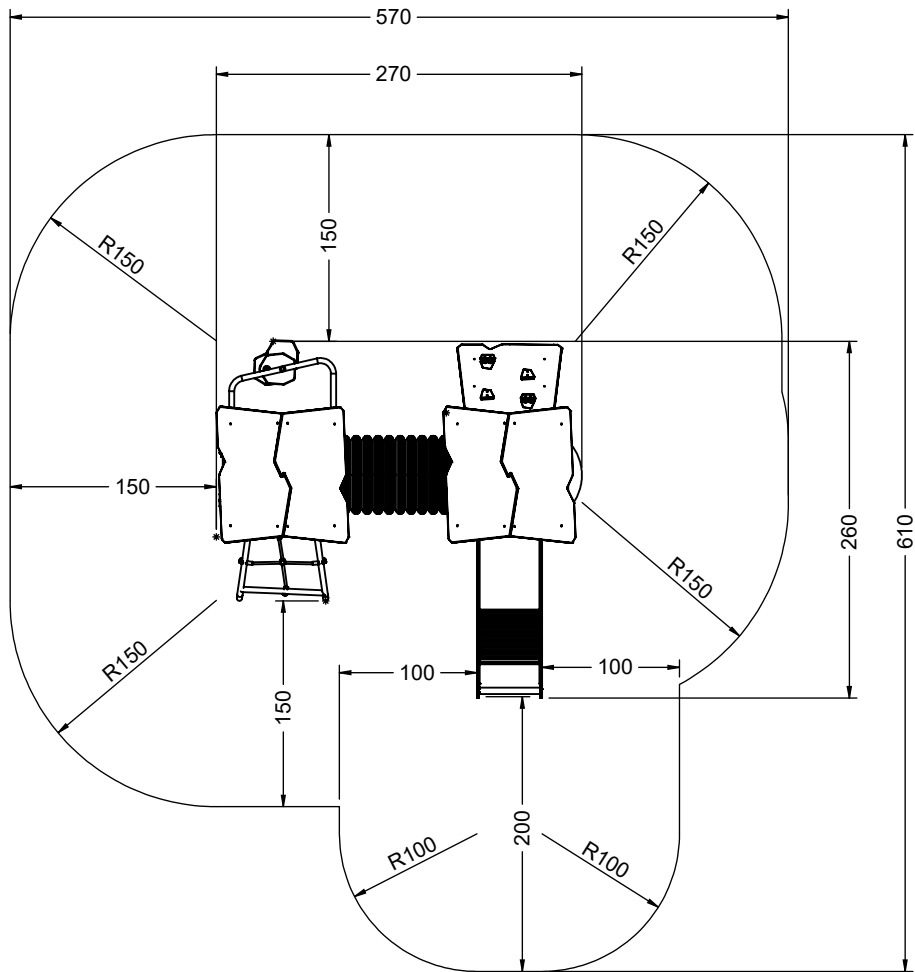
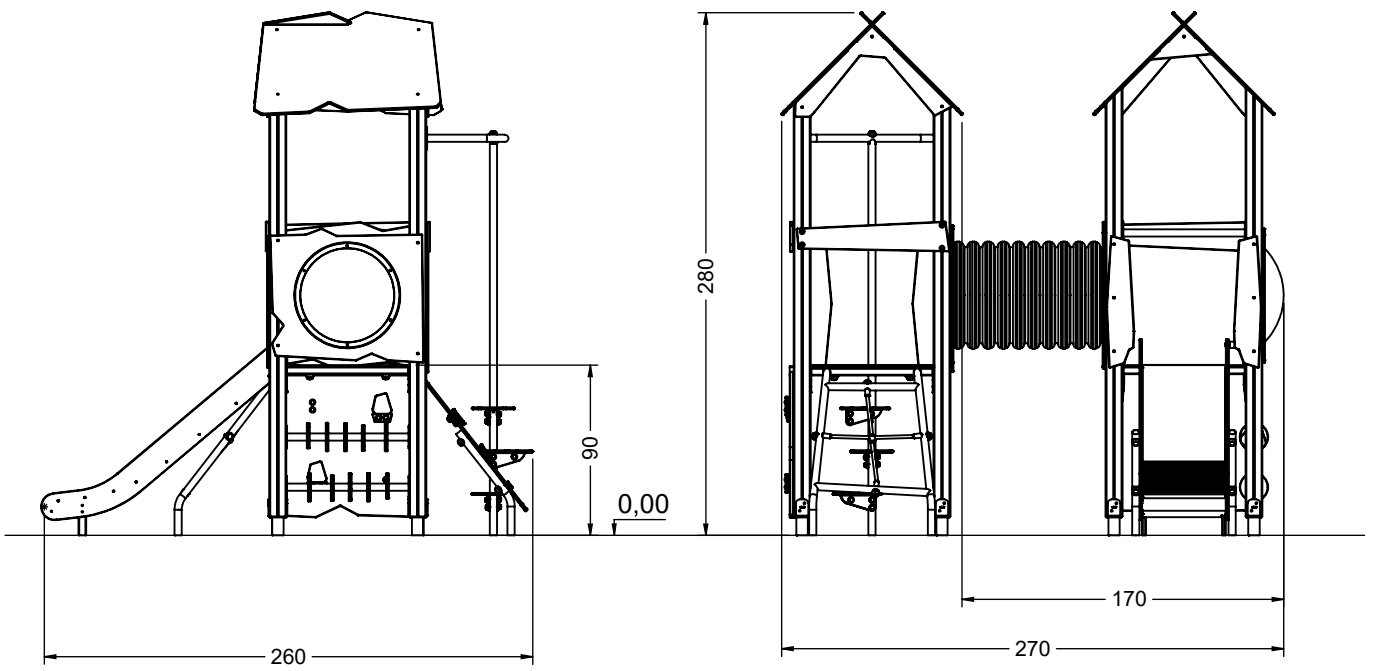


v017  
28.11.2023  
M.L.  
[cm]



vinci  
play





[cm]



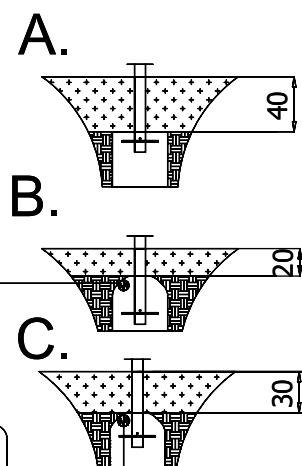
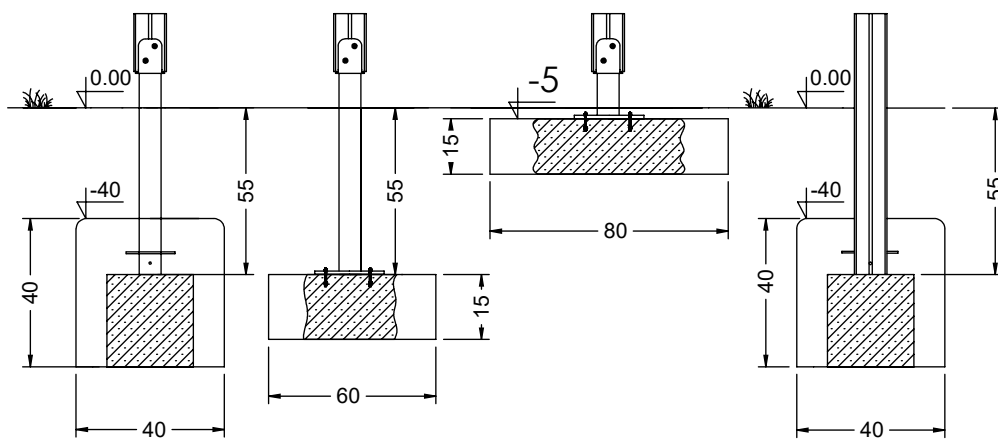
vinci  
play

K1-(W)

K2

K3

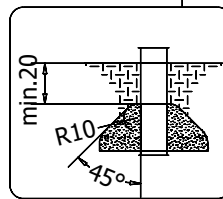
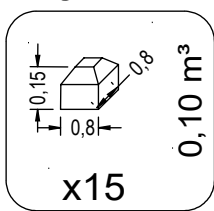
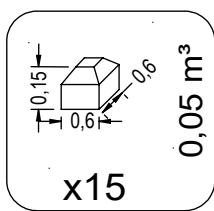
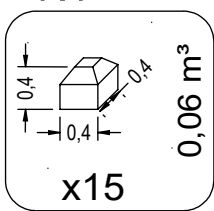
K1-(R)



K1

K2

K3

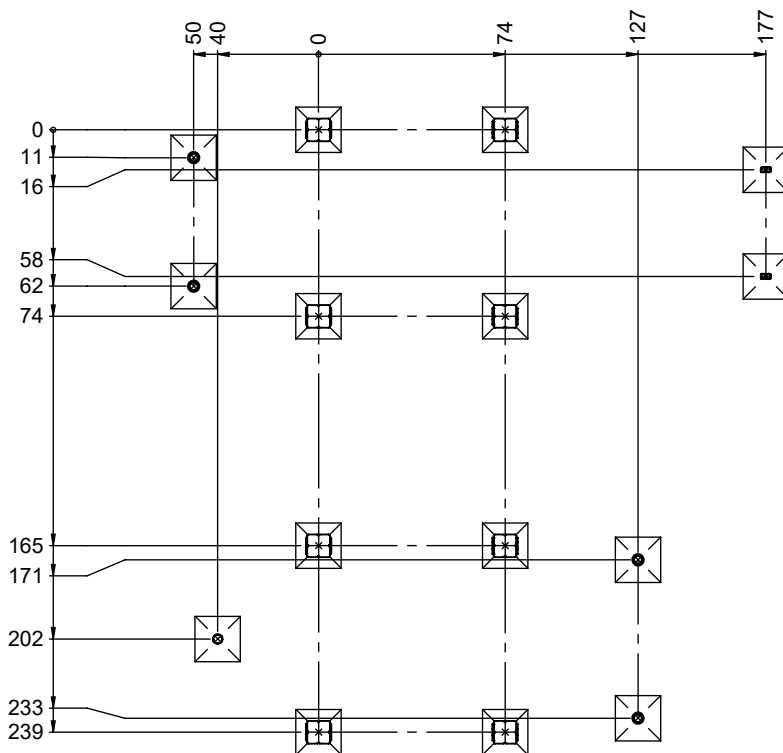
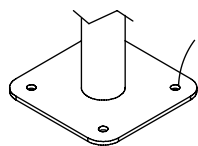


8x M8x120 (K2)  
6x M8x120 (K3)

**NOT INCLUDED**

32x M10x120 (K2)  
34x M10x120 (K3)

**NOT INCLUDED**



[cm]

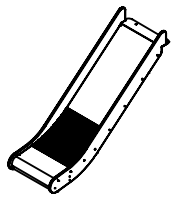
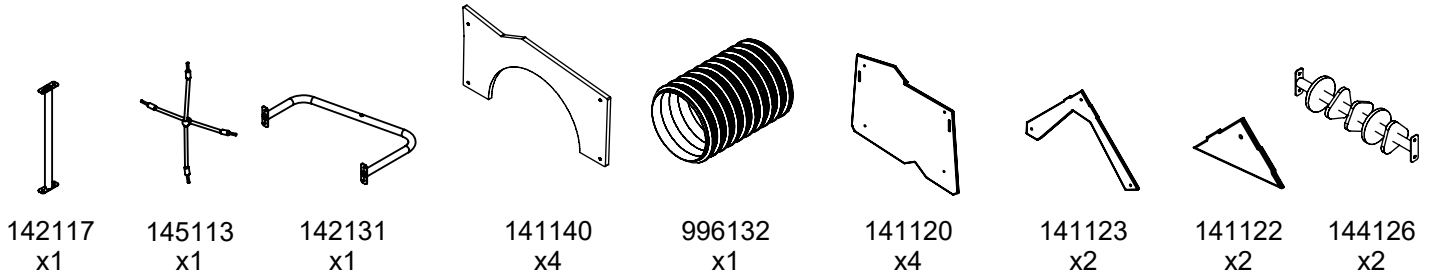
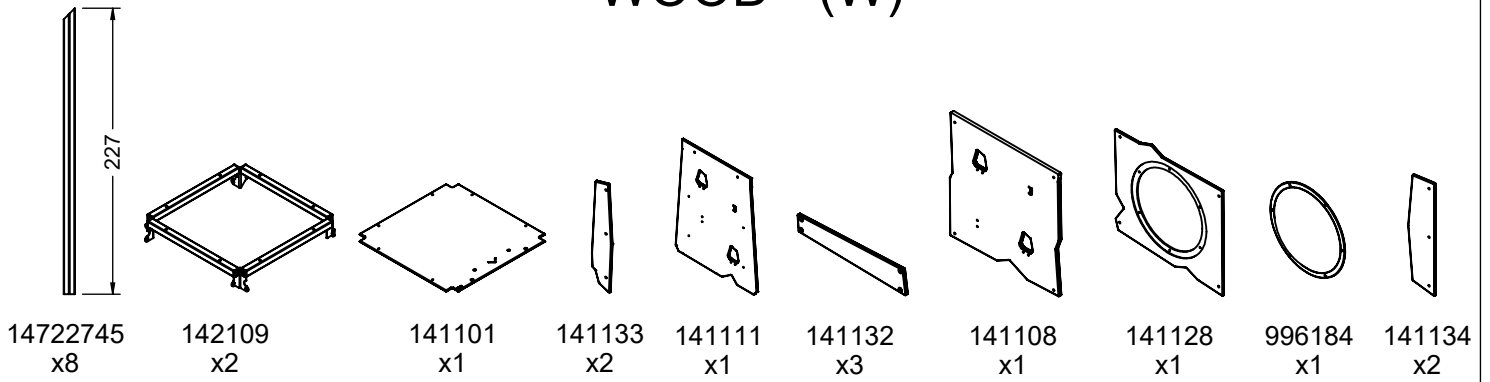


6h

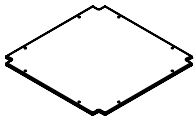


vinci play

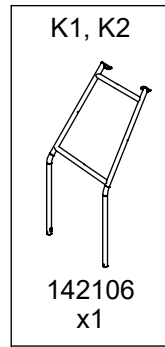
# WOOD - (W)



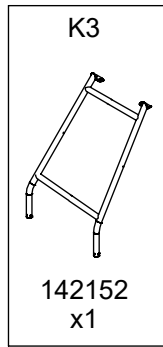
994103  
x1



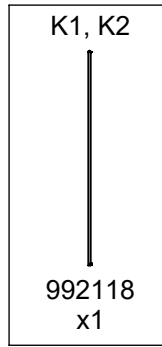
141100  
x1



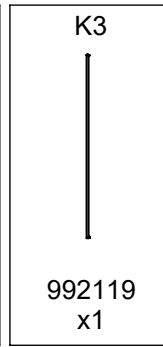
142106  
x1



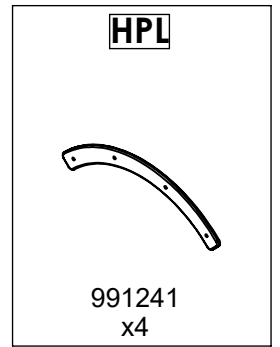
142152  
x1



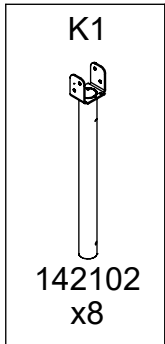
992118  
x1



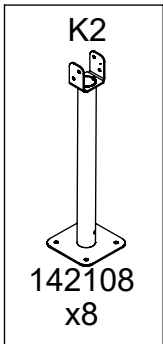
992119  
x1



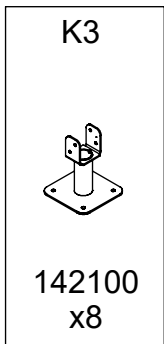
991241  
x4



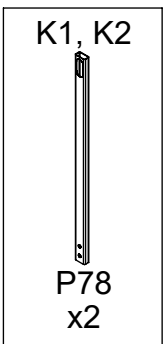
142102  
x8



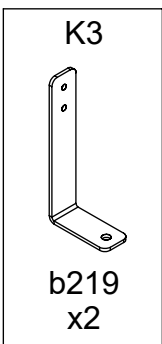
142108  
x8



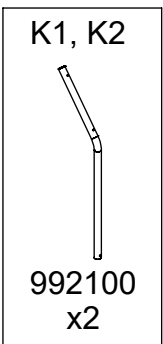
142100  
x8



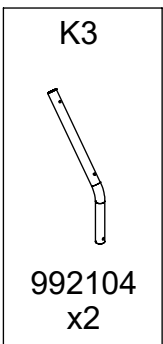
P78  
x2



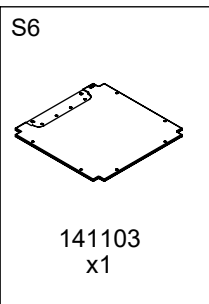
b219  
x2



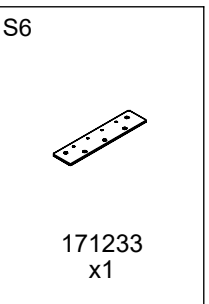
992100  
x2



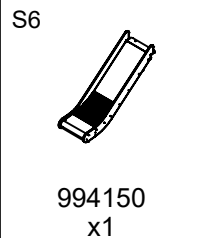
992104  
x2



141103  
x1



171233  
x1



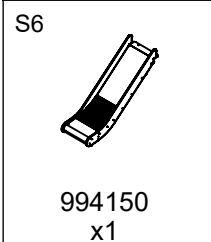
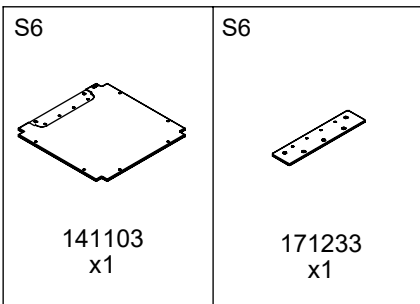
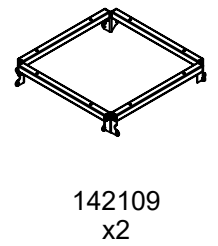
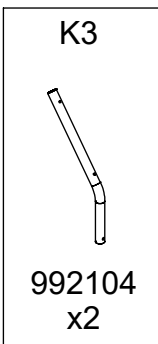
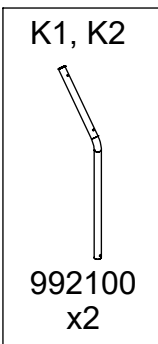
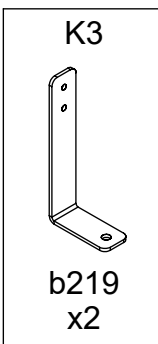
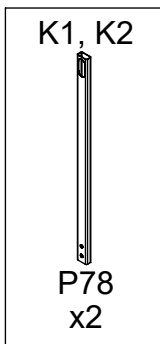
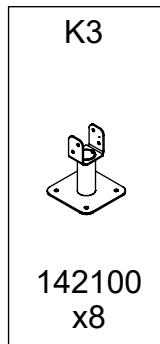
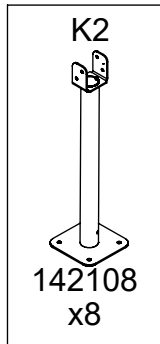
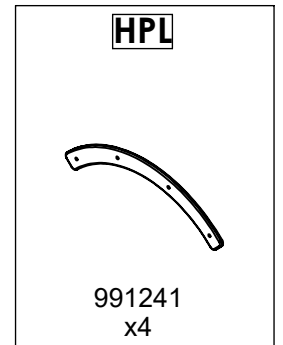
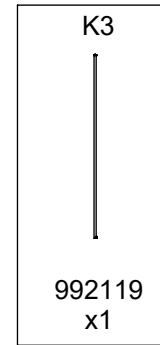
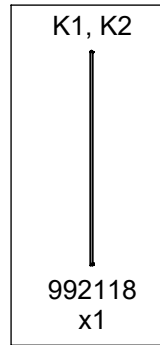
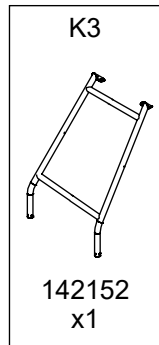
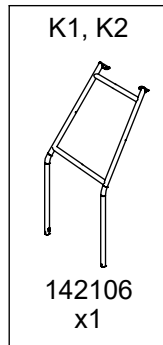
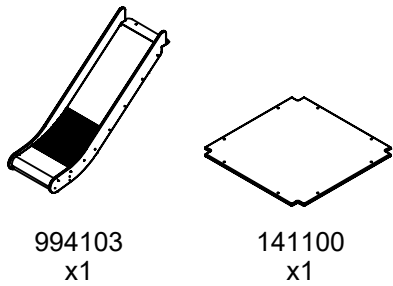
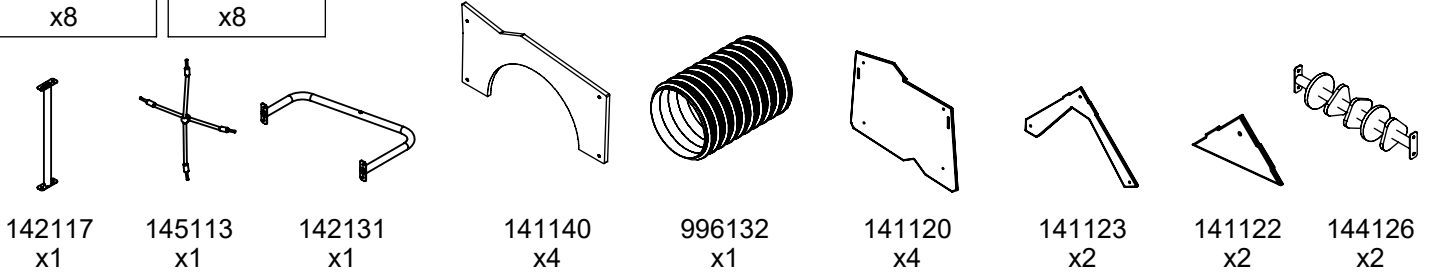
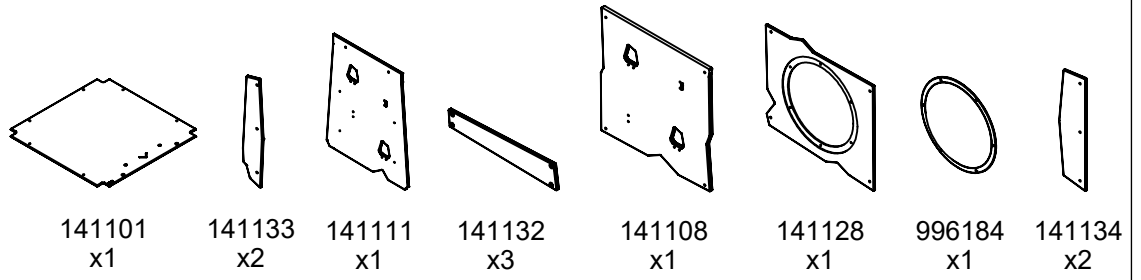
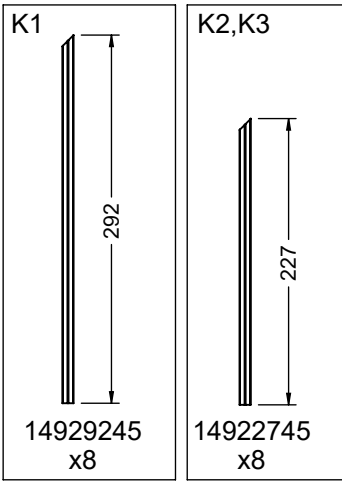
994150  
x1

		PLYWOOD / HDPE		HPL	
124x	8x50 sxi	1x	WD72	1x	WD73
1x	WD14-4	1x	WD74	1x	WD75
1x	E34 <sub>(K1,K3)</sub>	4x	WD15	4x	WD16
1x	E35 <sub>(K2)</sub>	4x	WD35	4x	WD36
1x	E39	1x	WD28 <sub>(S1)</sub>	1x	WD29 <sub>(S1)</sub>
1x	E38 <sub>(K2,K3)</sub>	1x	WD113 <sub>(S6)</sub>	1x	WD114 <sub>(S6)</sub>
2x	E88 <sub>(K2,K3)</sub>	1x	WD37	1x	WD38
1x	V001	1x	CE9	1x	CL9
3x	WD67	2x	WD33	2x	WD34
3x	WD68	1x	WD63	1x	WD64
				2x	E130
				1x	17p061 S6

[cm]

vinci  
play

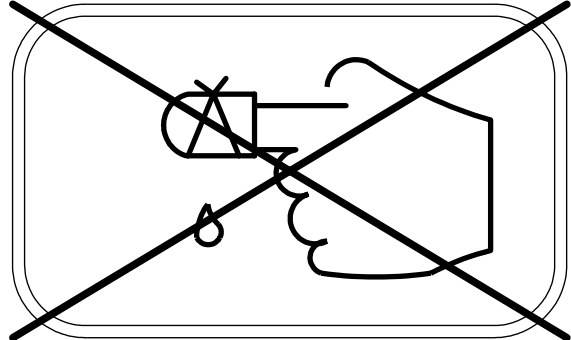
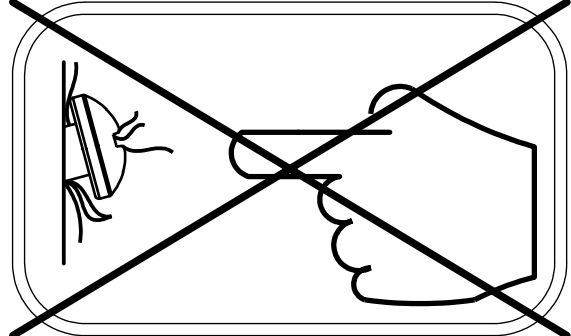
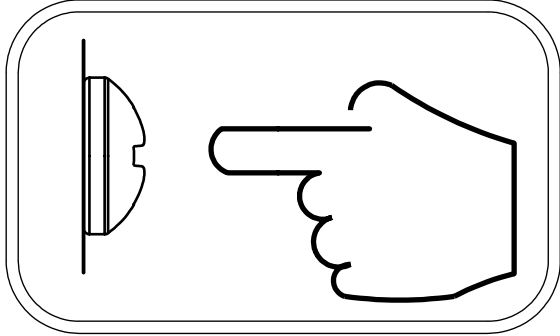
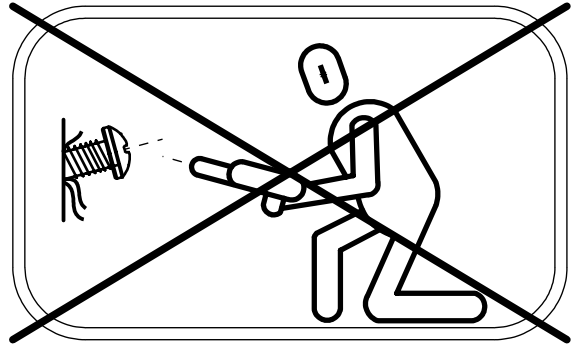
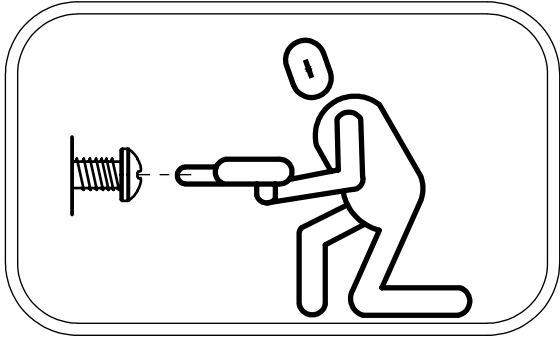
# RECYCLED - (R)



		PLYWOOD / HDPE		HPL	
24x	8x50 sxi (K2,K3)	1x	WD72	1x	WD73
92x	8x50 sxi	1x	WD74	1x	WD75
1x	WD14-4	4x	WD15	4x	WD16
1x	E34(K1,K3)	4x	WD35	4x	WD36
1x	E35(K2)	1x	WD28(S1)	1x	WD29(S1)
1x	E39	1x	WD113(S6)	1x	WD114(S6)
1x	E38(K2,K3)	1x	WD37	1x	WD38
2x	E88(K2,K3)	1x	CE9	1x	CL9
1x	V001	2x	WD33	2x	WD34
3x	WD67	1x	WD63	1x	WD64
3x	WD68			2x	E130
				1x	17p061 S6

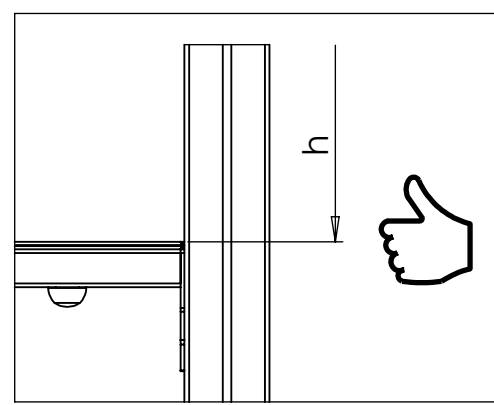
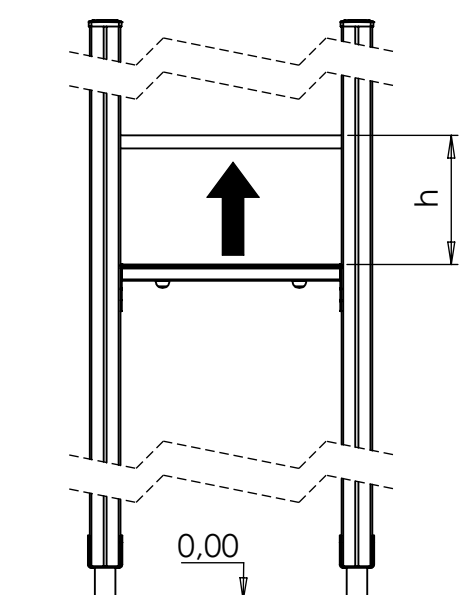
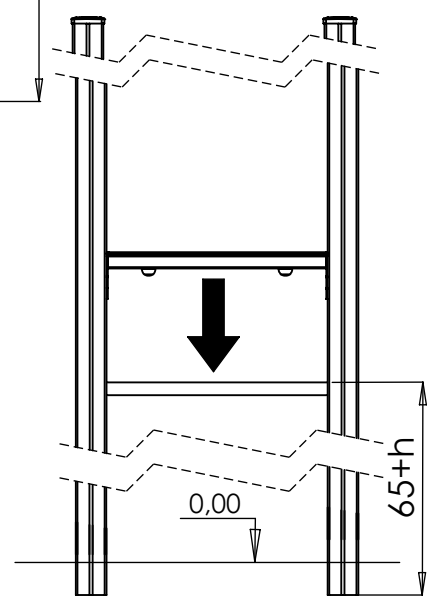
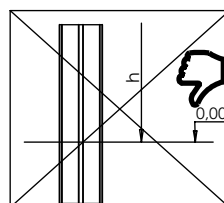
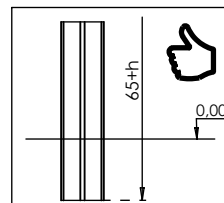
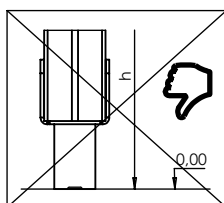
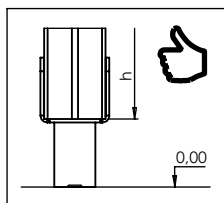
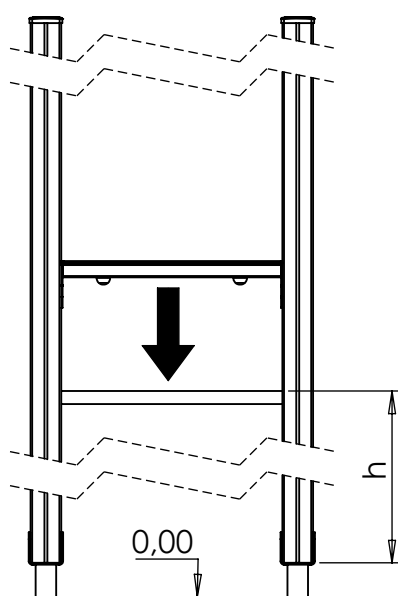
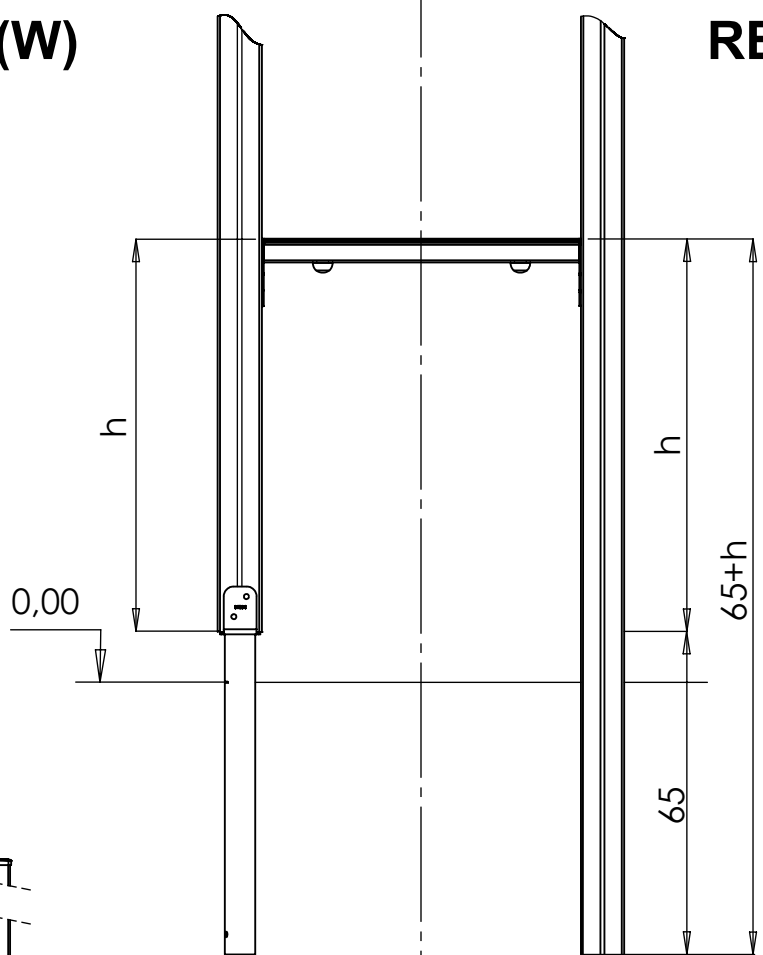
[cm]

vinci play



# WOOD - (W)

# RECYCLED - (R)

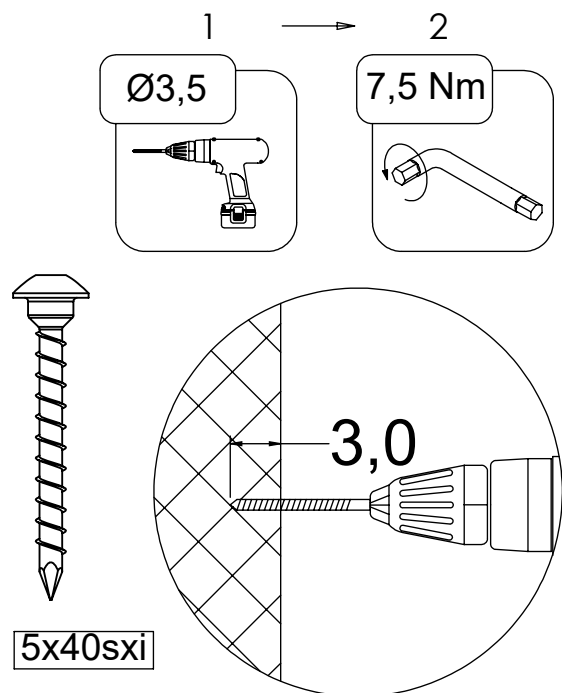
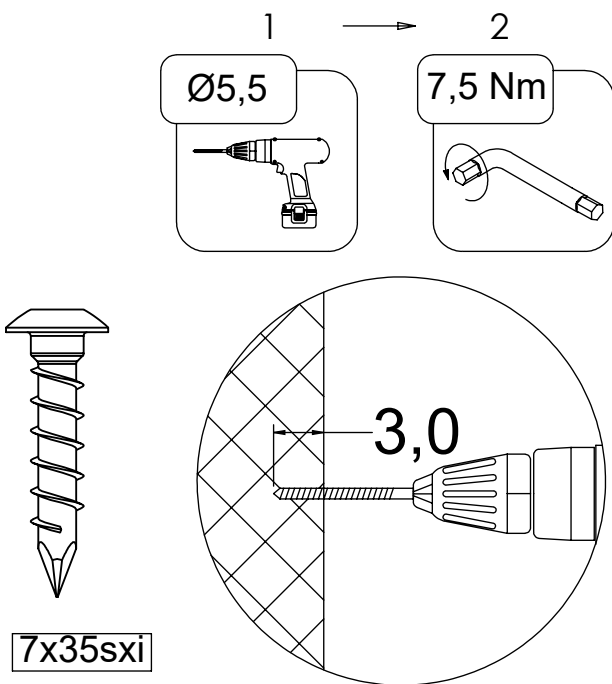
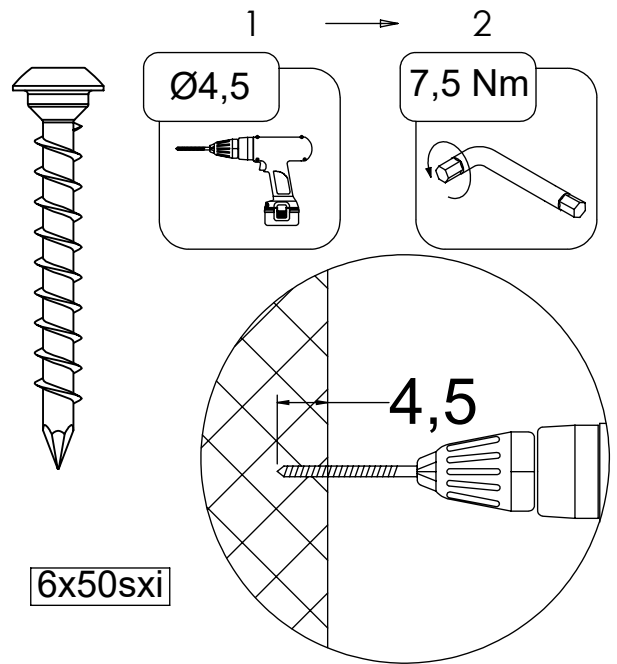
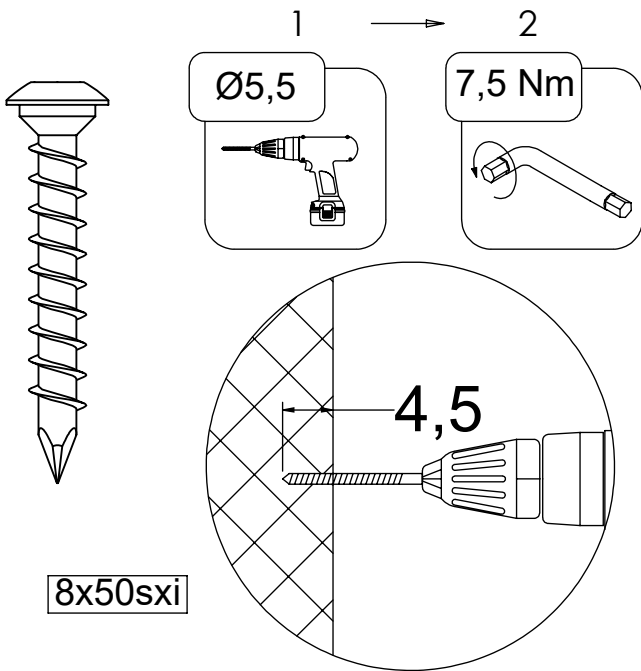


[cm]

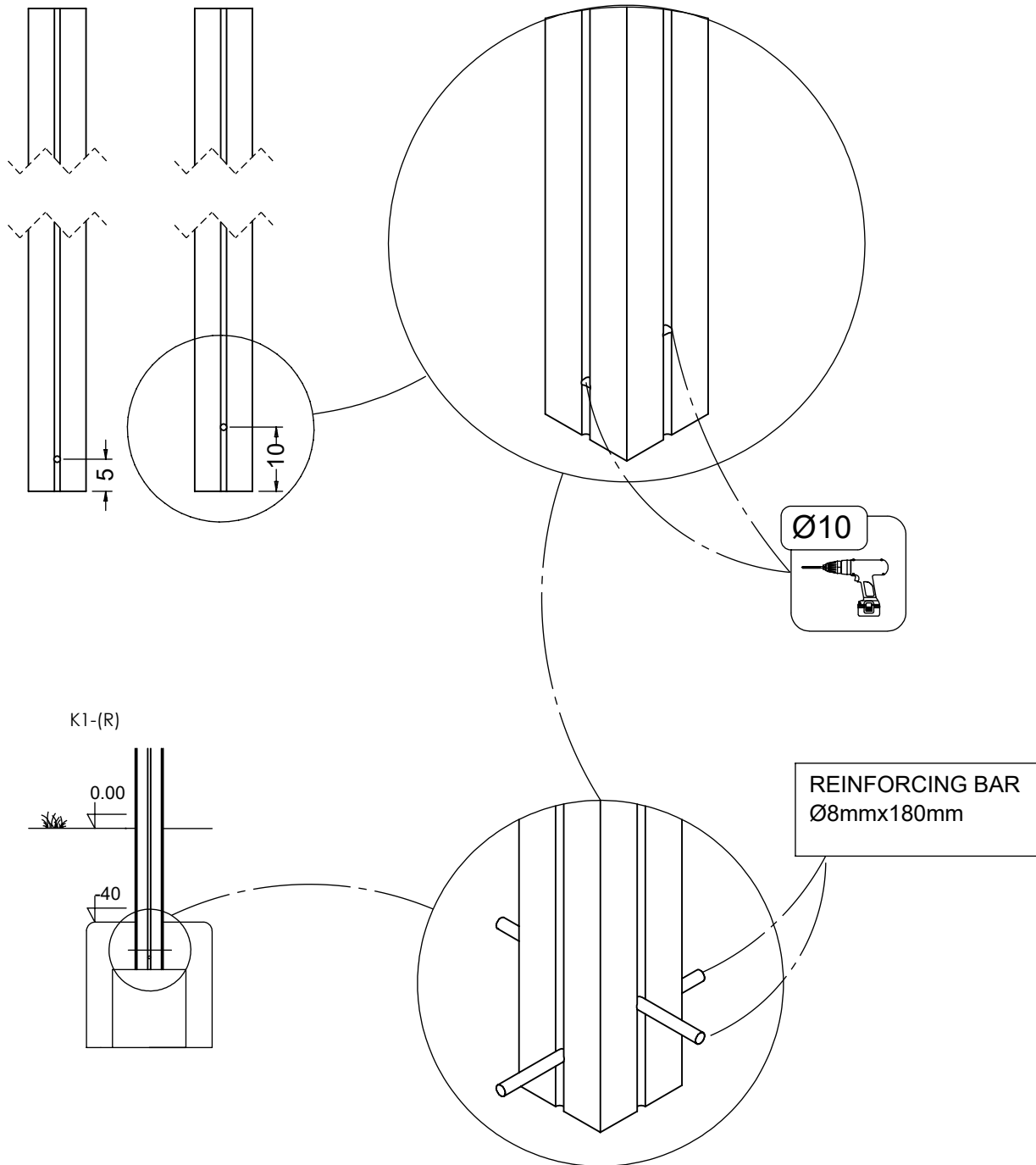
vinci play



# RECYCLED!



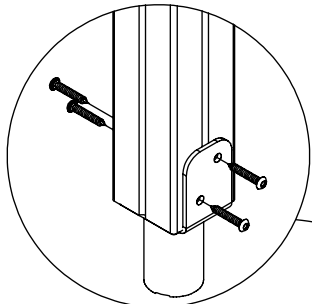
# RECYCLED!



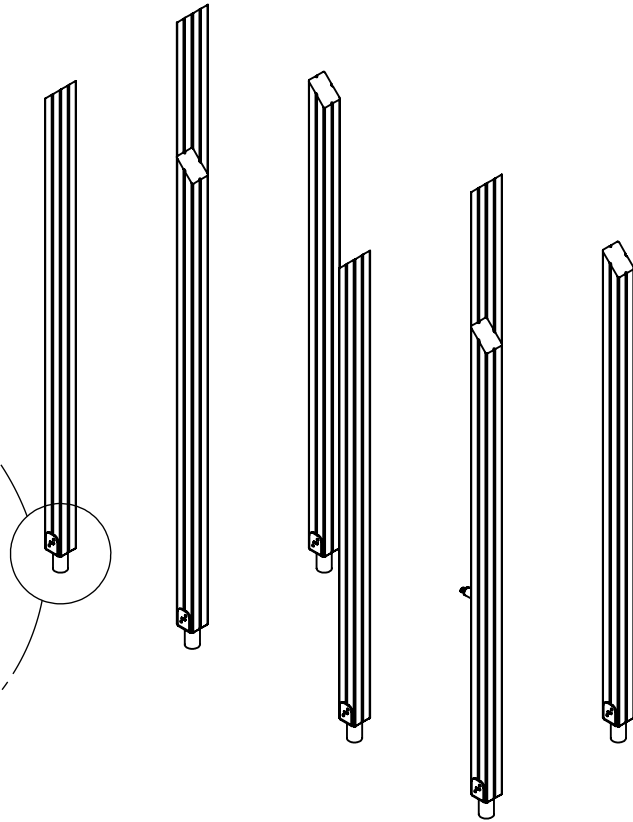
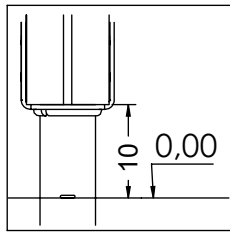
[cm]

vinci  
play

K1,K2,K3 - (W)  
 K2,K3 - (R)

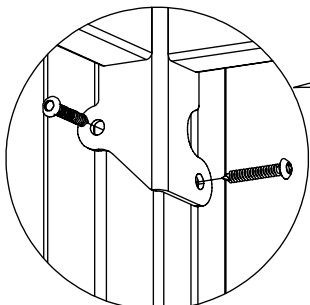
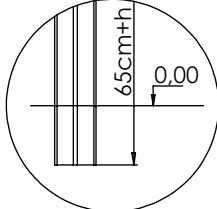
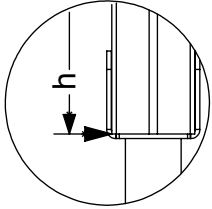


8x50 sxi

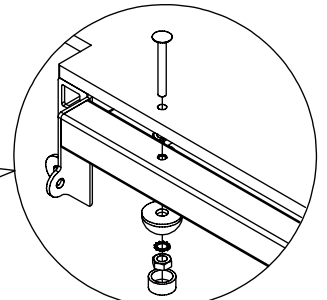
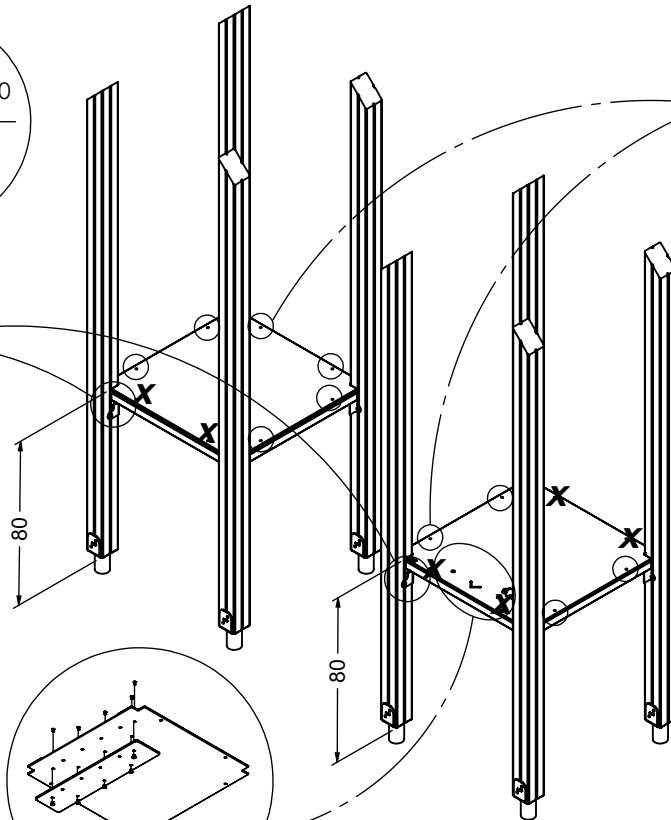


(W) - K1, K2, K3  
 (R) - K2, K3

(R)-K1

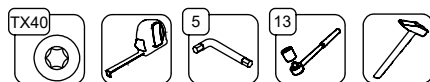


8x50 sxi



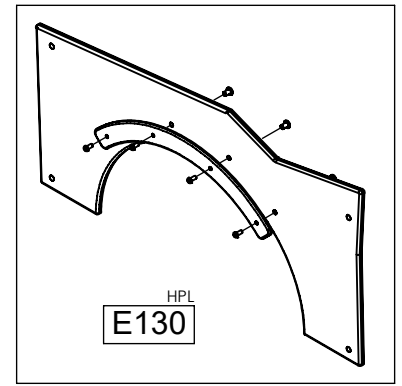
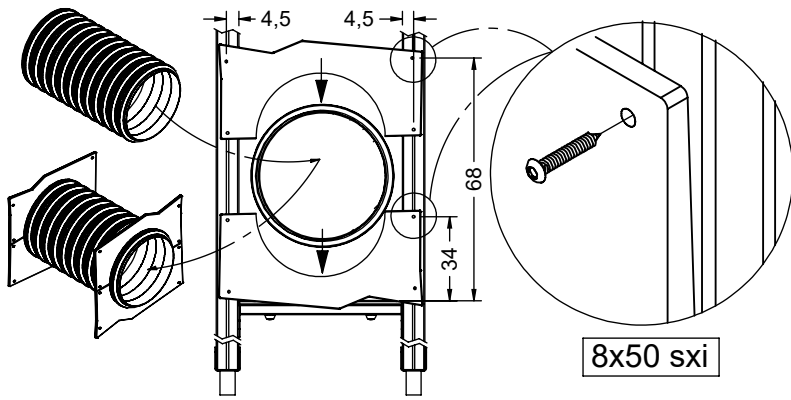
PLYWOOD	WD72	HPL	WD73
PLYWOOD	WD74	HPL	WD75

1x 17p061 S6



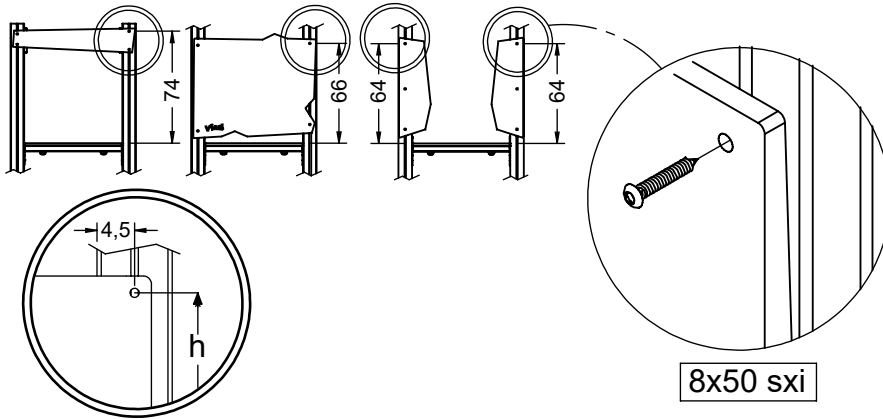
[cm]

vinci  
 play



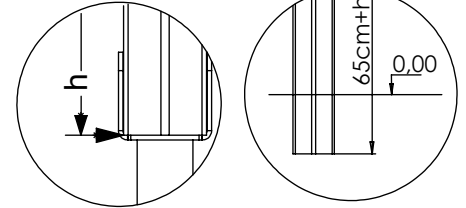
8x50 sxi

HPL  
E130

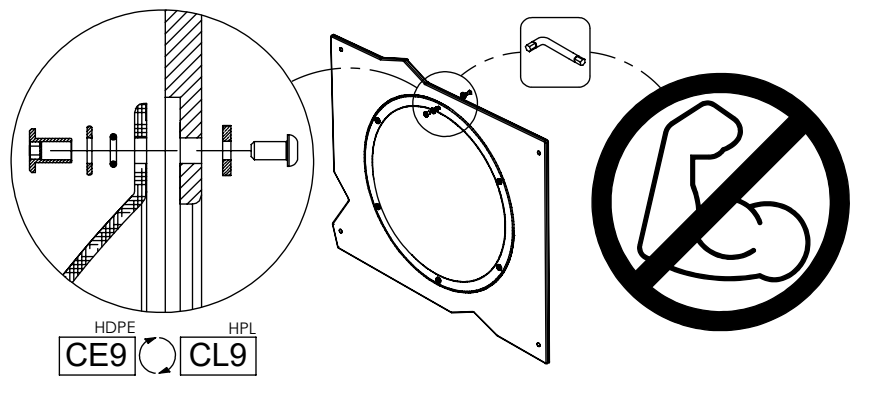
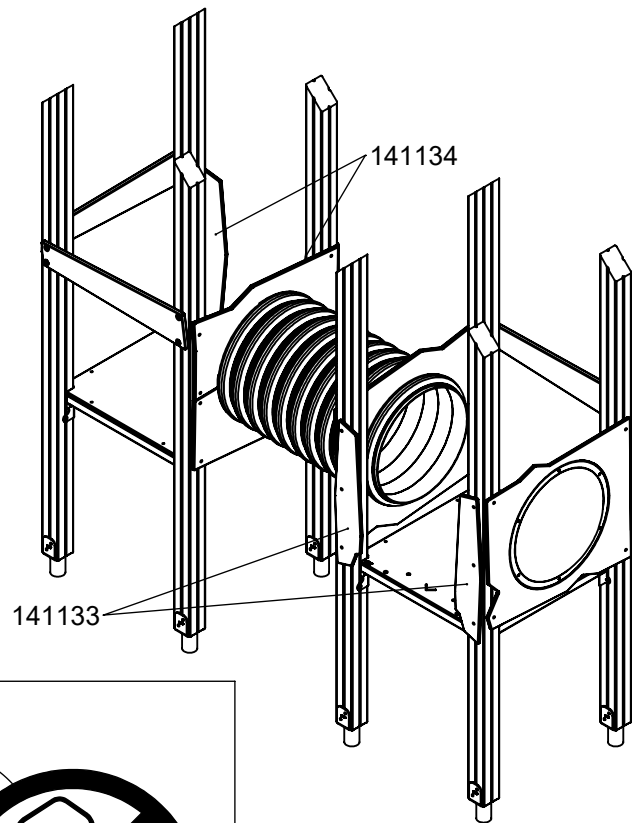


(W) - K1, K2, K3  
(R) - K2, K3

(R)-K1

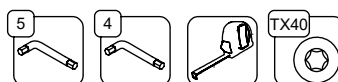


8x50 sxi

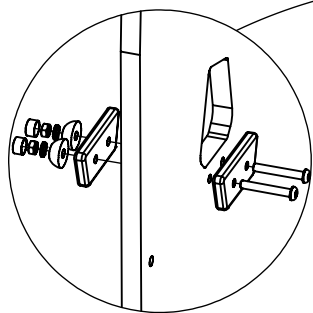


HDPE CE9 HPL CL9

[cm]

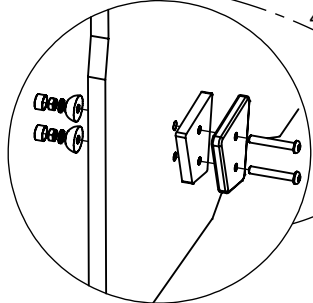


vinci  
play



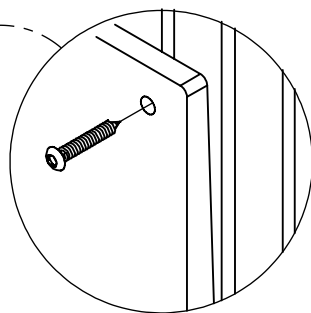
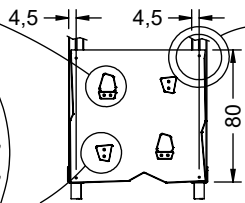
PLYWOOD  
WD35

HPL  
WD36

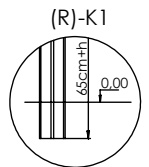


PLYWOOD  
WD15

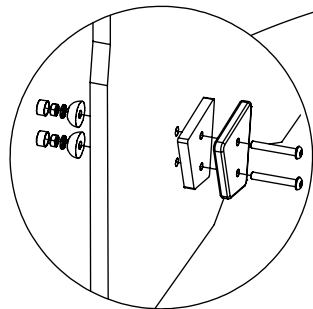
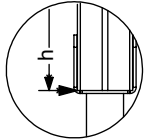
HPL  
WD16



8x50 sxi

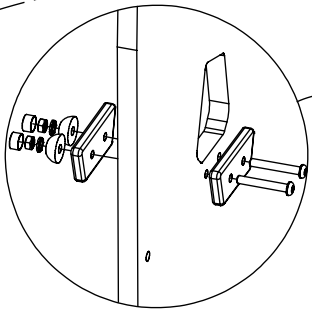


(R)-K1  
(W) - K1, K2, K3  
(R) - K2, K3



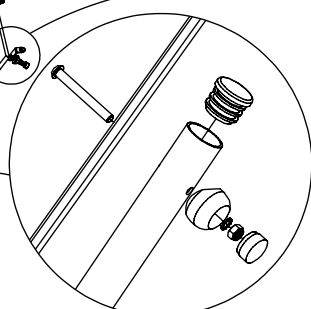
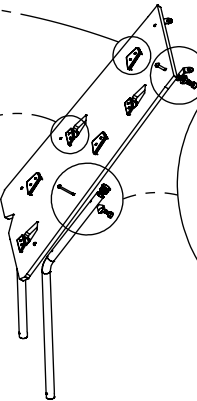
PLYWOOD  
WD15

HPL  
WD16



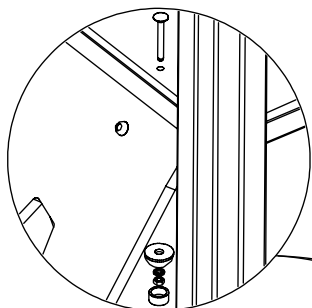
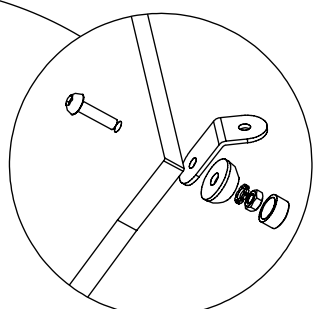
PLYWOOD  
WD35

HPL  
WD36



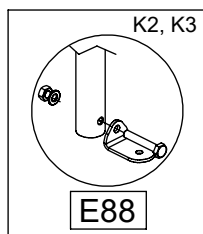
PLYWOOD  
WD37

HPL  
WD38



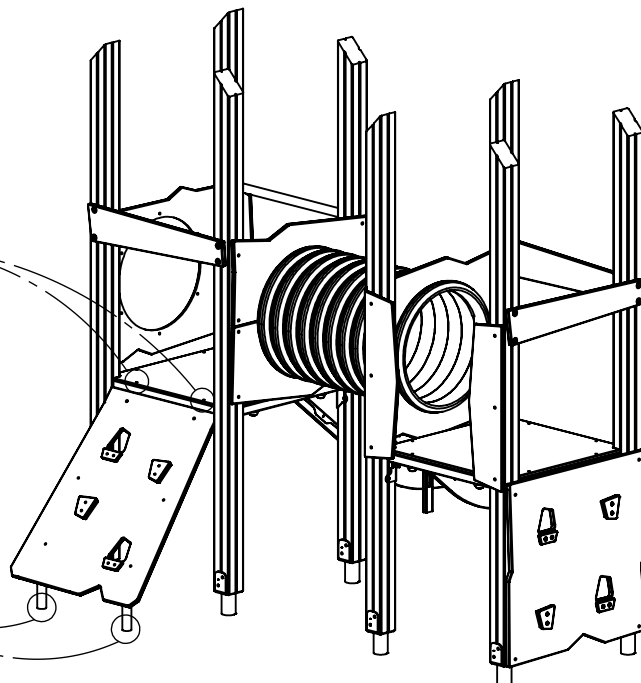
PLYWOOD  
WD37

HPL  
WD38

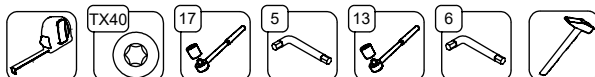


K2, K3

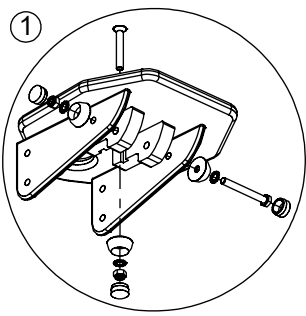
E88



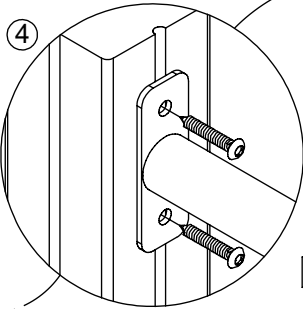
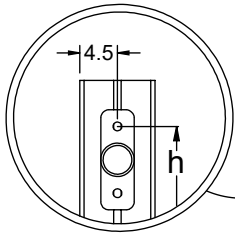
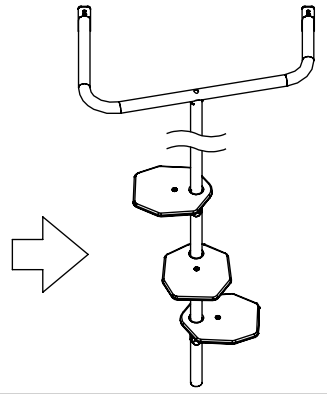
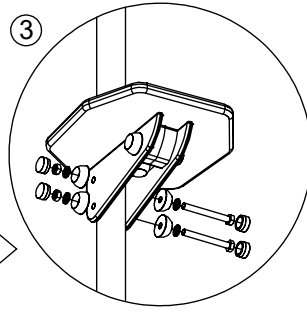
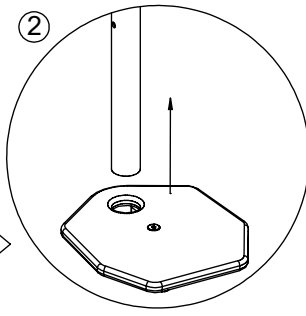
[cm]



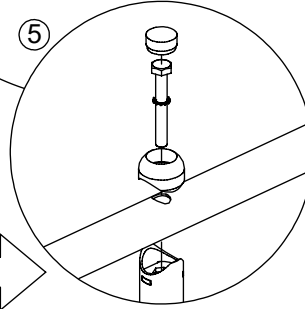
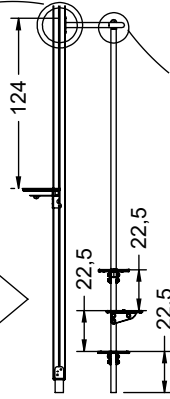
vinci  
play



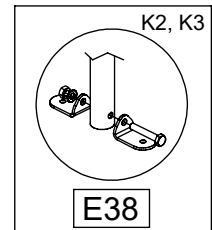
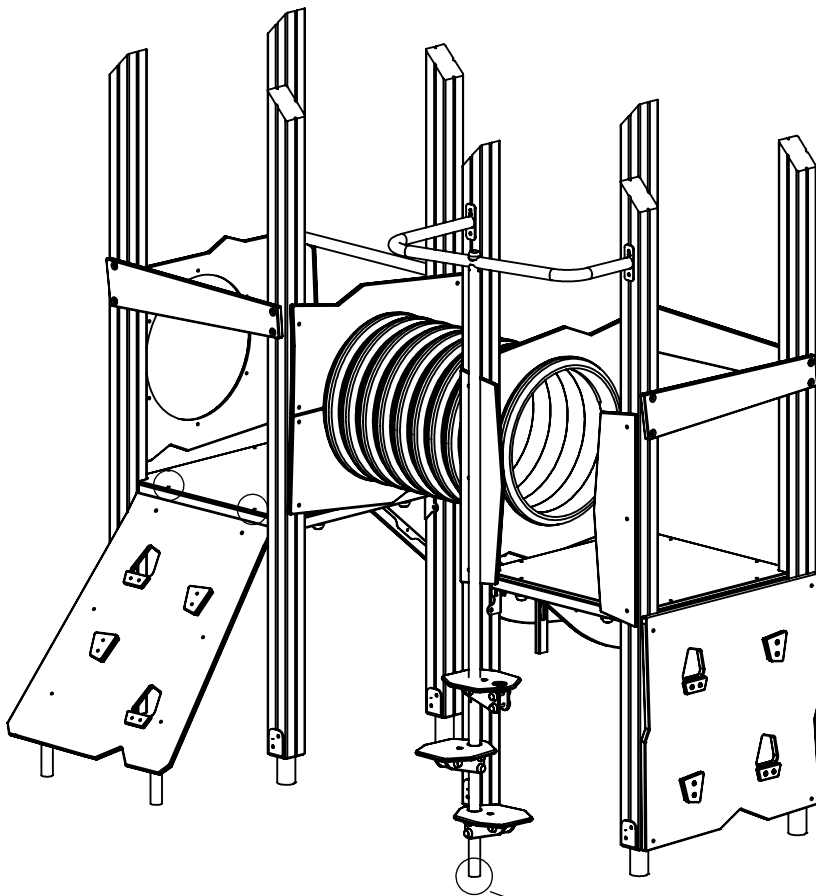
WD67 WD68



8x50 sxi



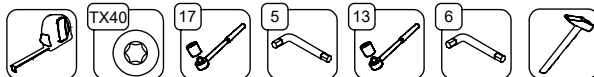
E39



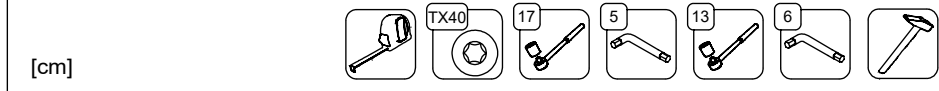
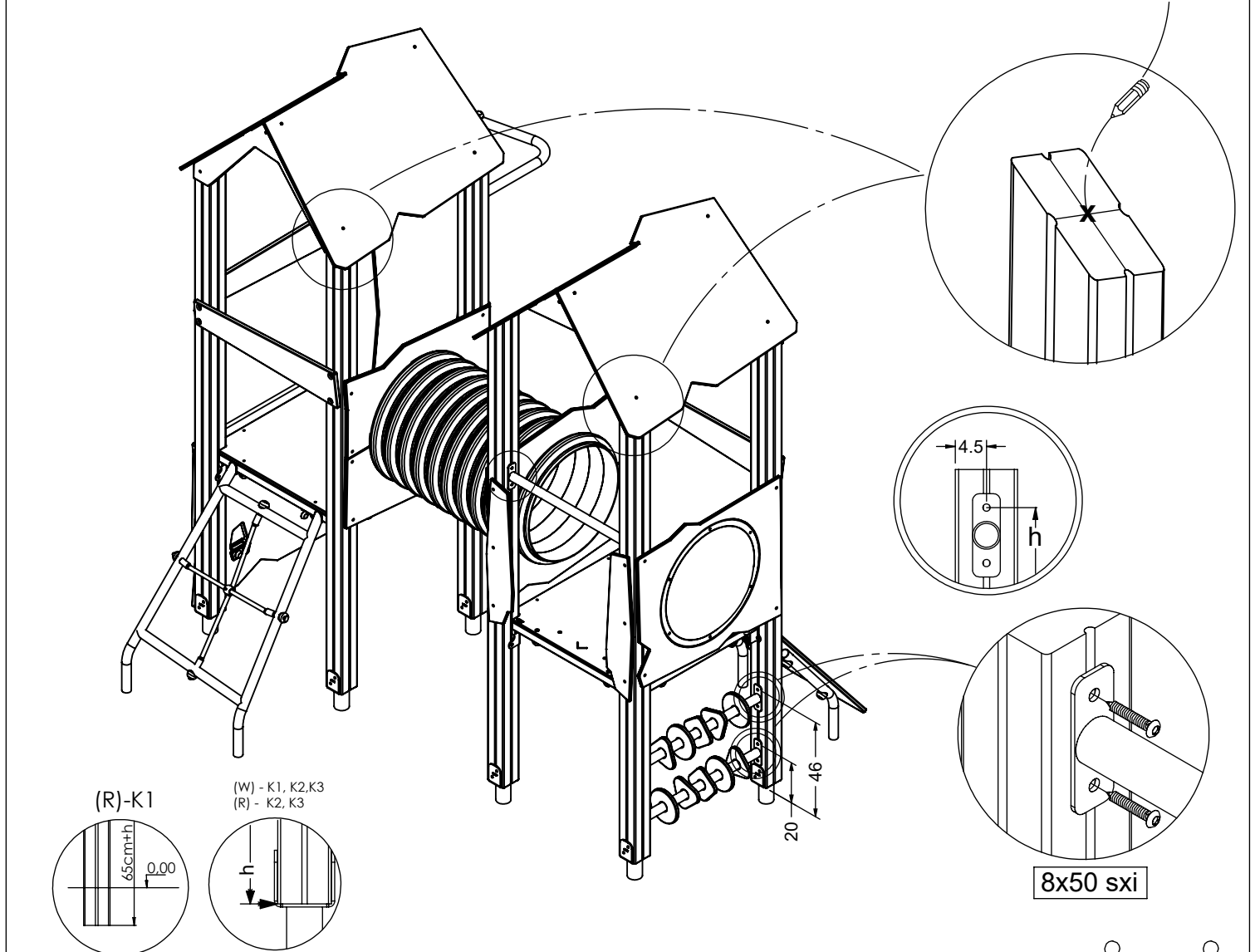
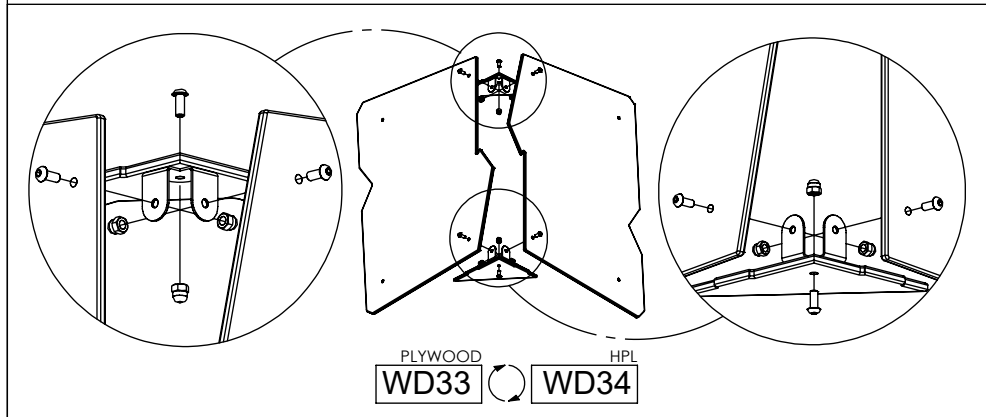
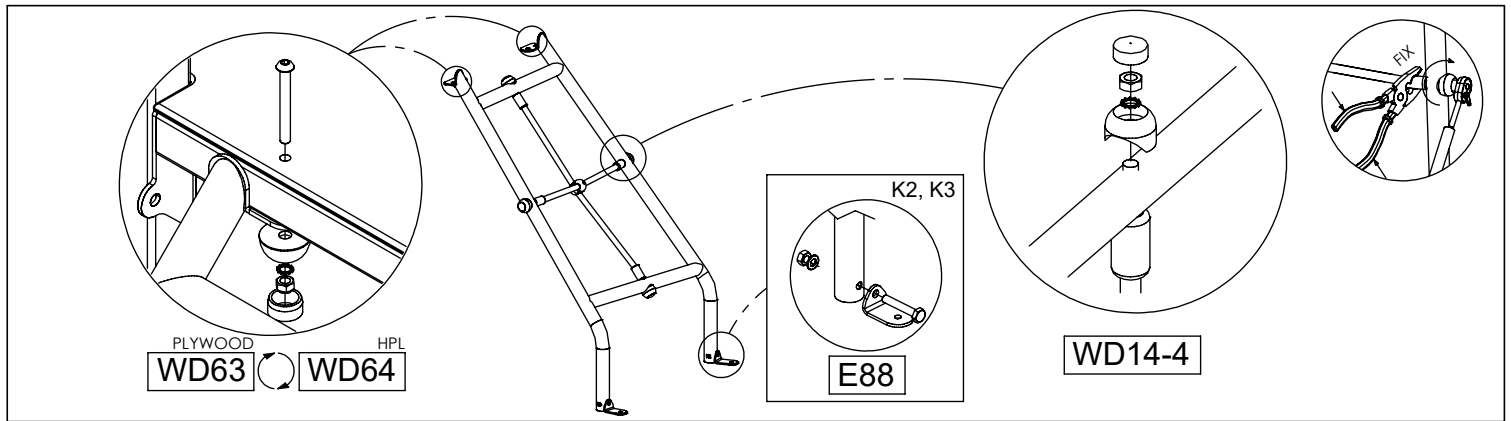
K2, K3

E38

[cm]

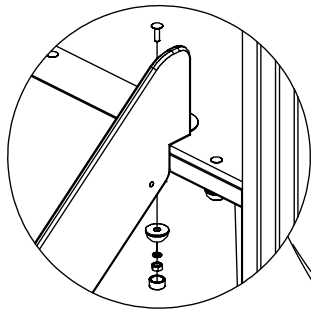


vinci play

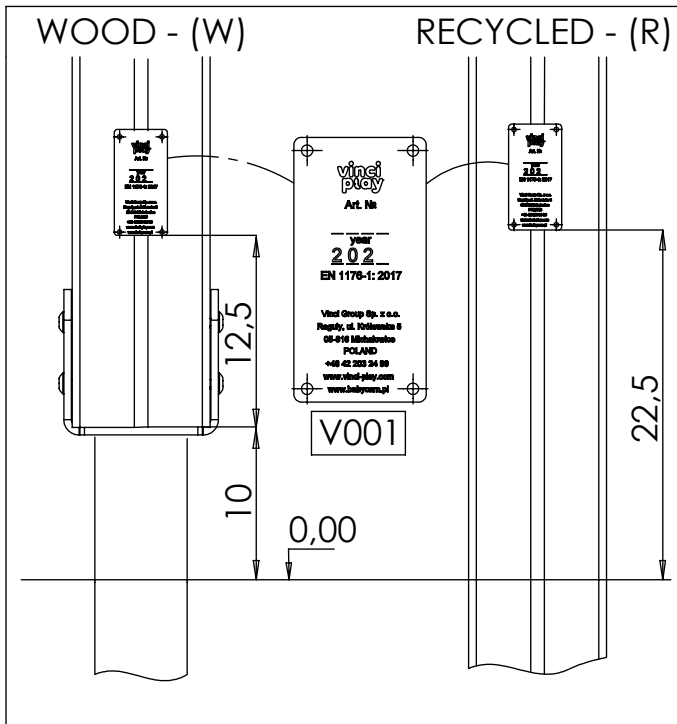
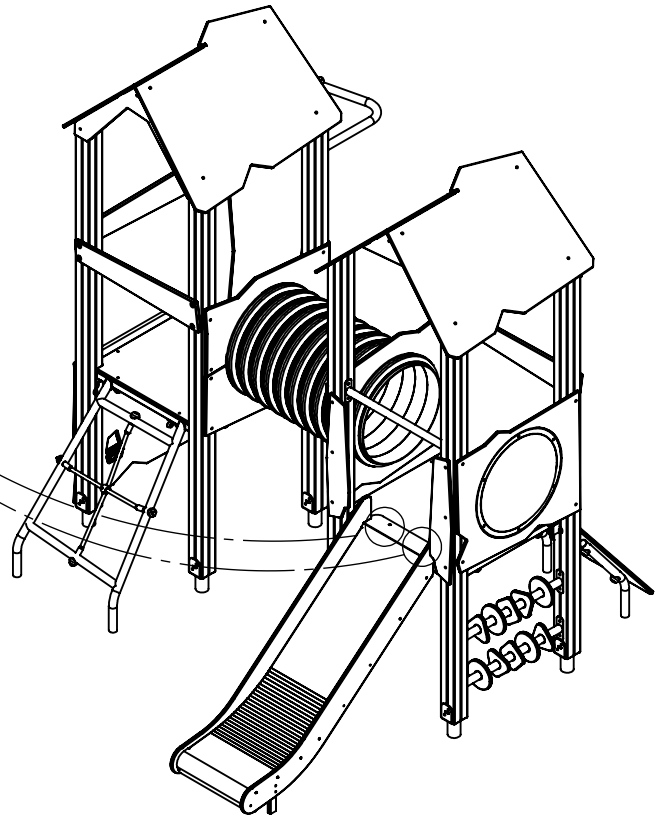


vinci  
play

[cm]

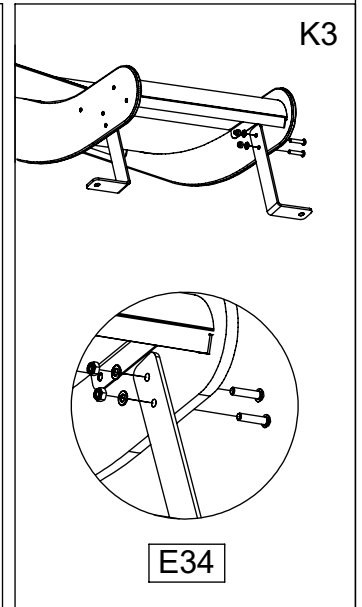
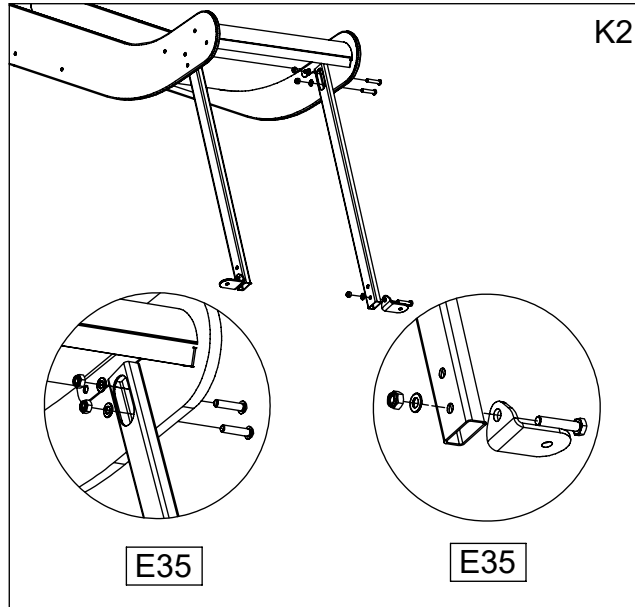
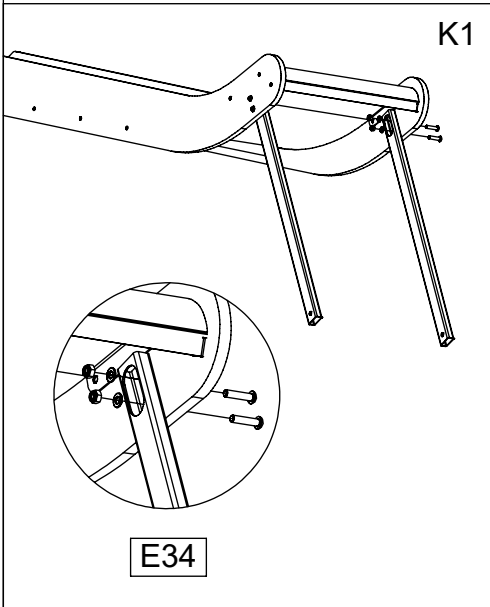
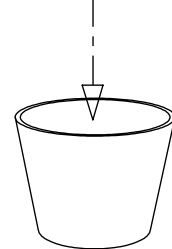


PLYWOOD HPL  
**WD28** (S1) **WD29**  
 PLYWOOD HPL  
**WD113** (S6) **WD114**

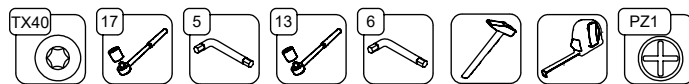


Part No:  
**000000-00000**

000000-00000



[cm]



vinci  
 play