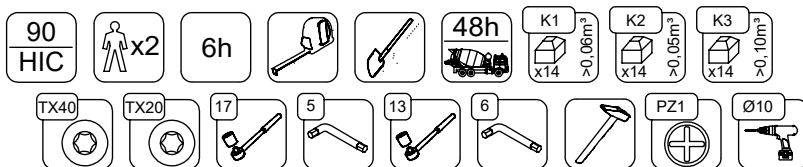
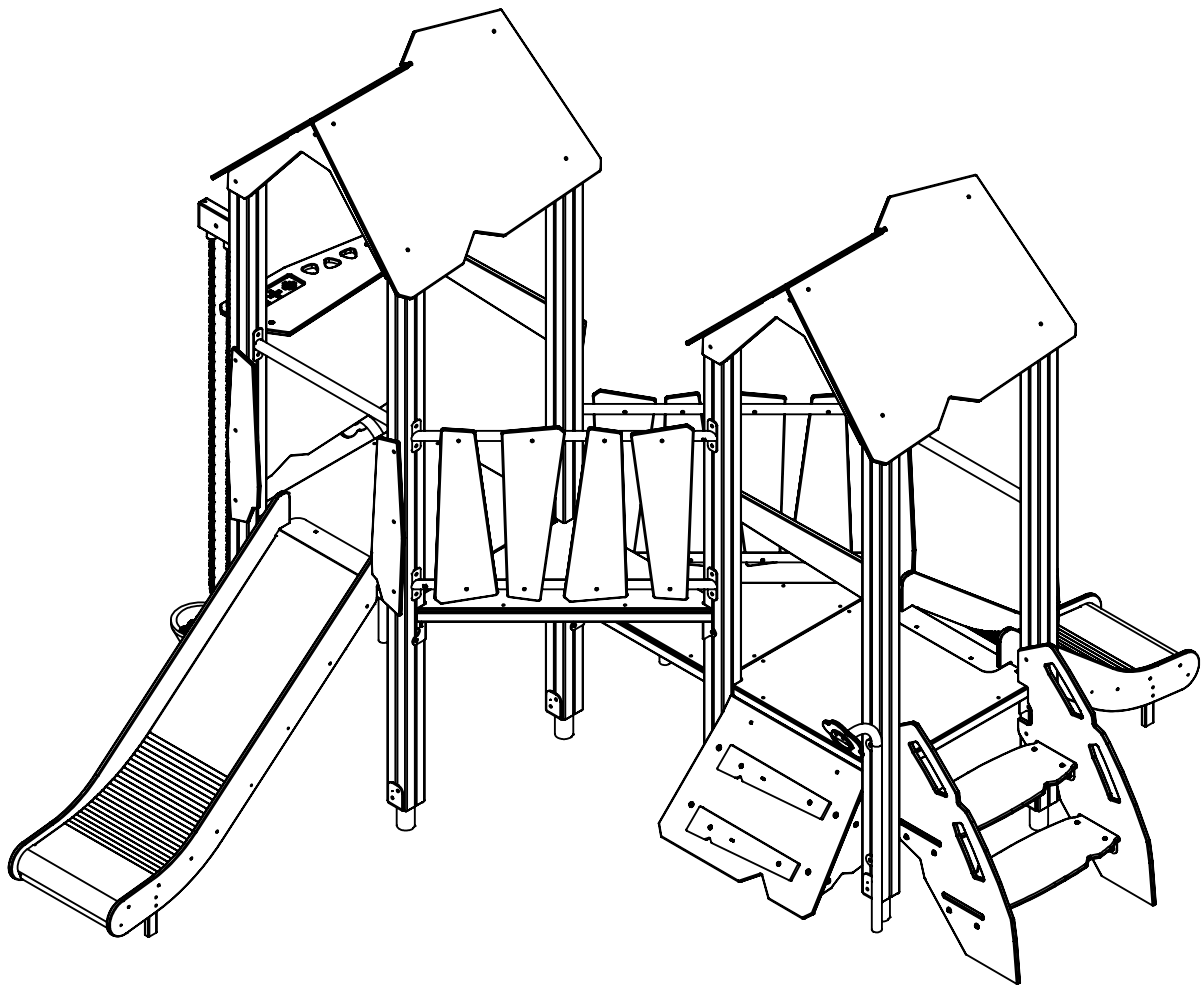
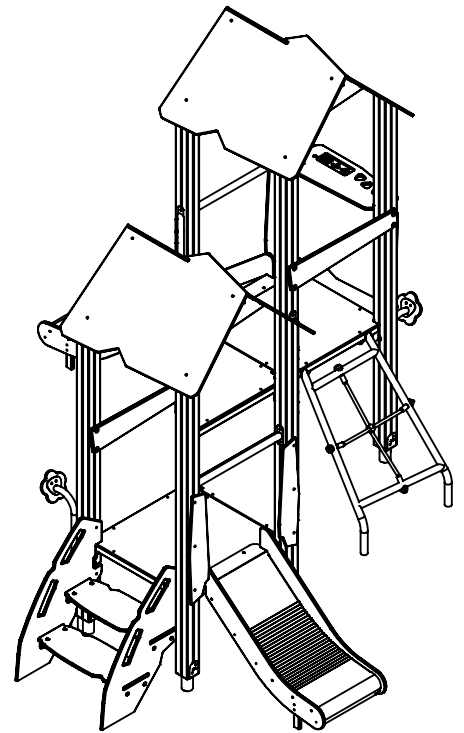
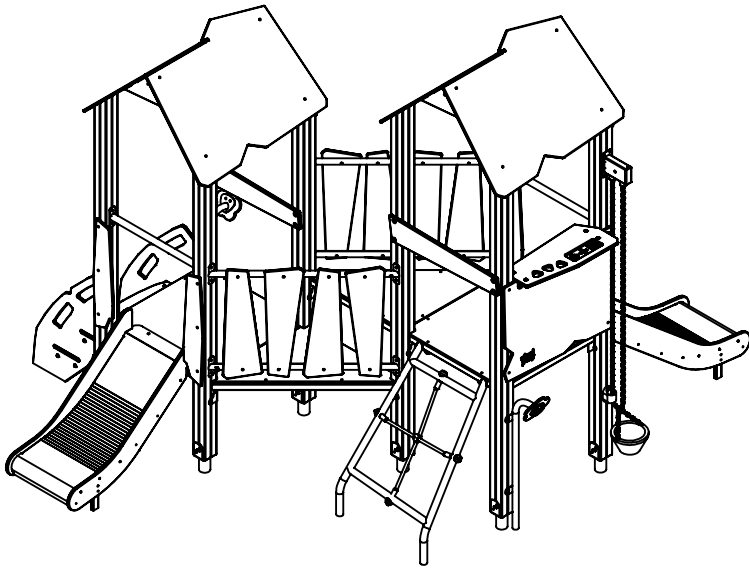
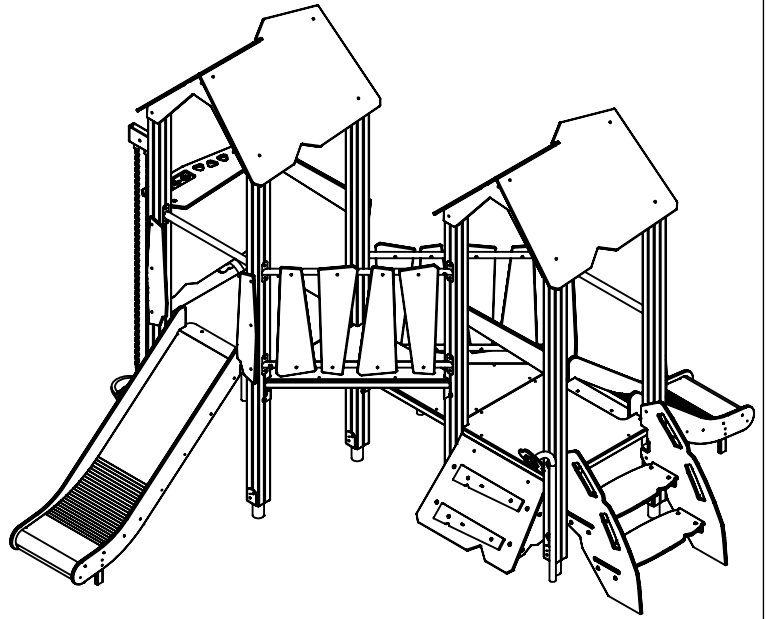
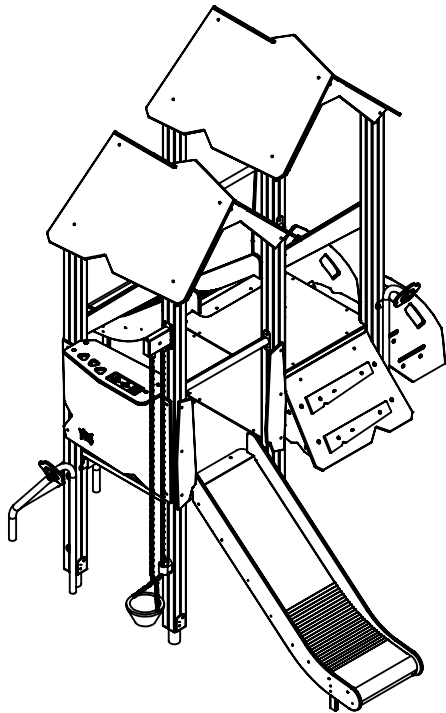


WD/RC 1436



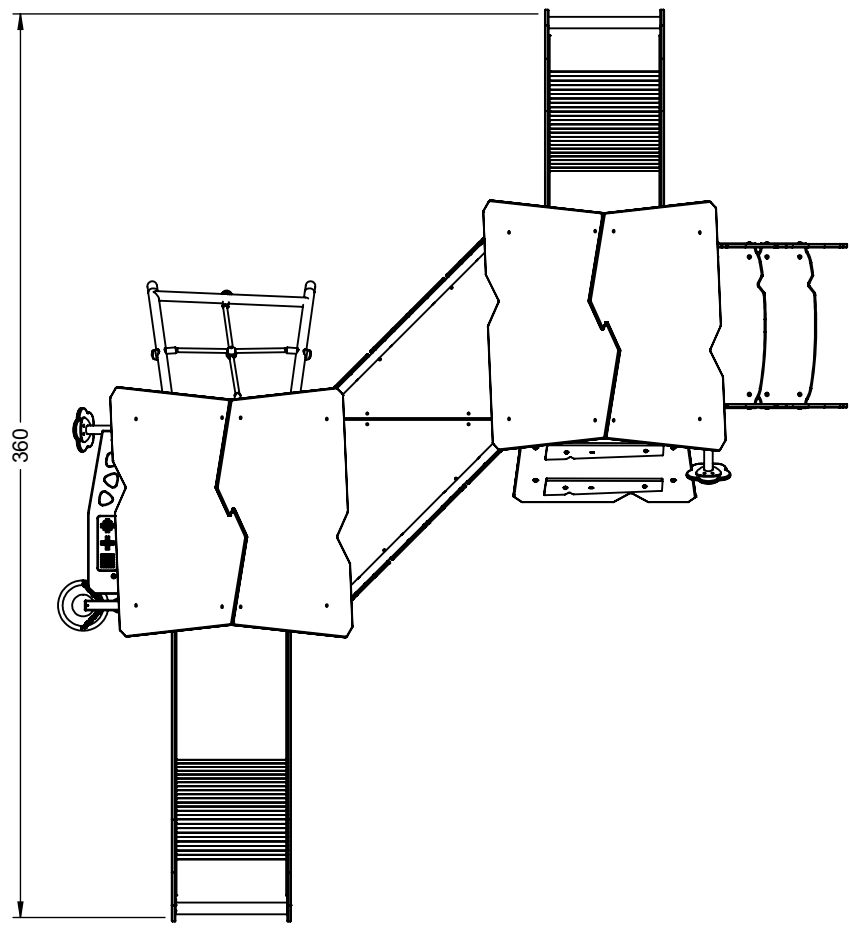
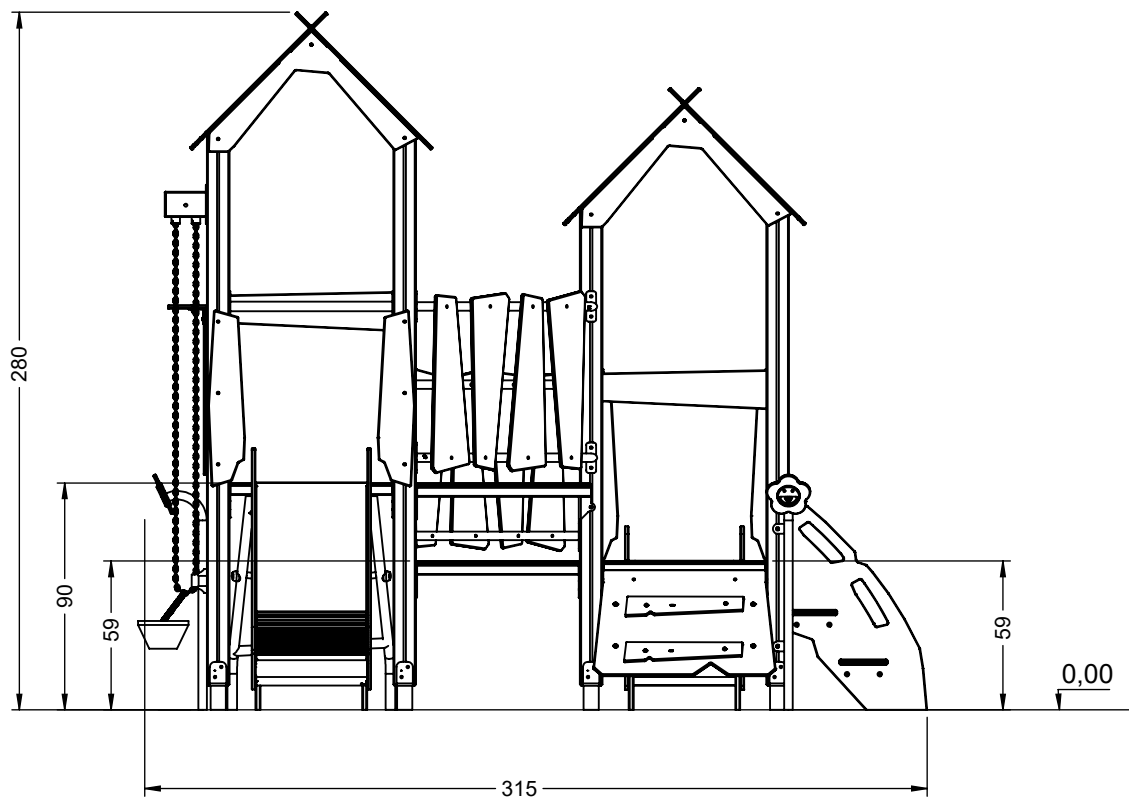
v022
04.12.2023
M.L.
[cm]

vinci
play



[cm]

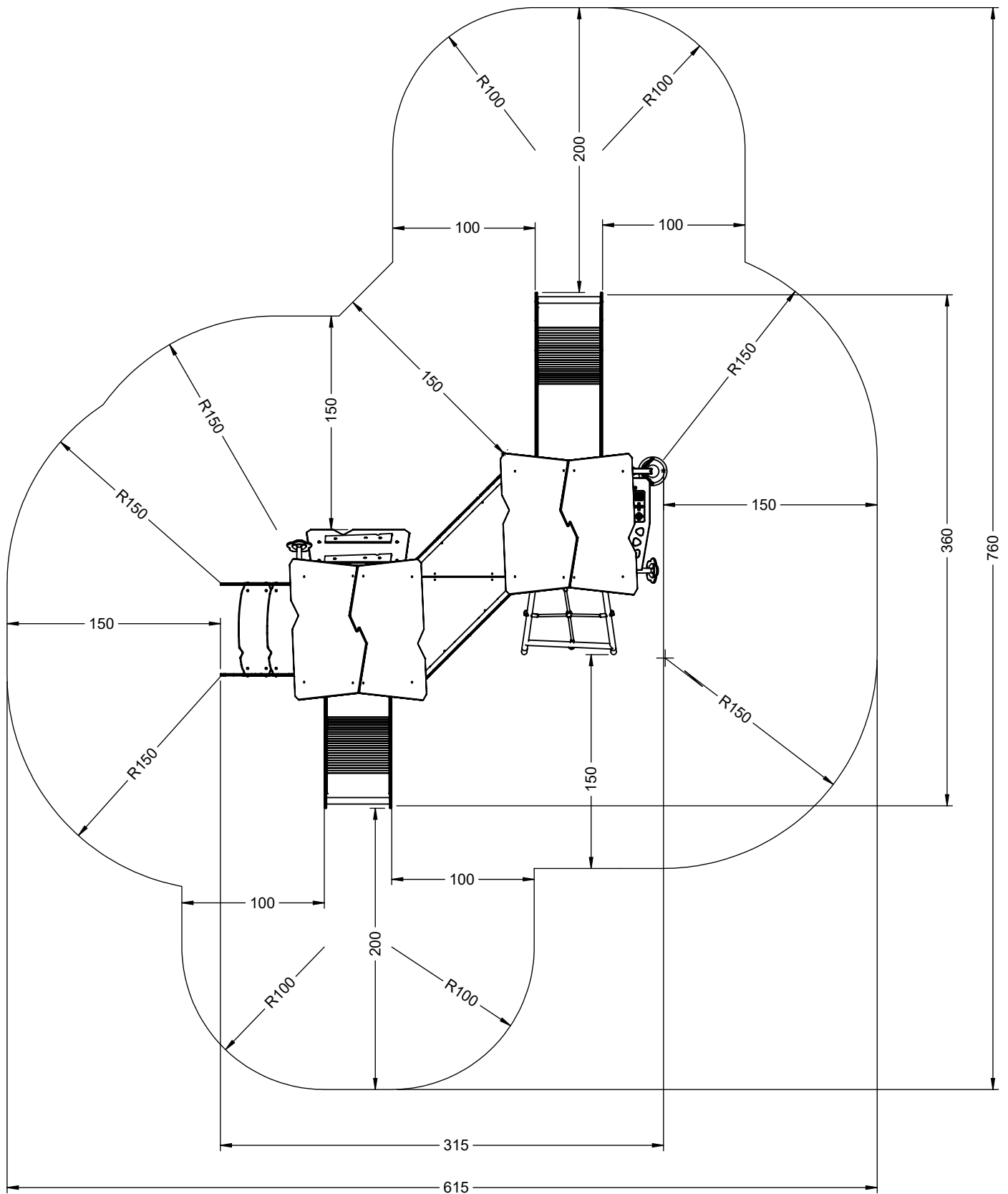
vinci
play



[cm]



vinci
play



[cm]



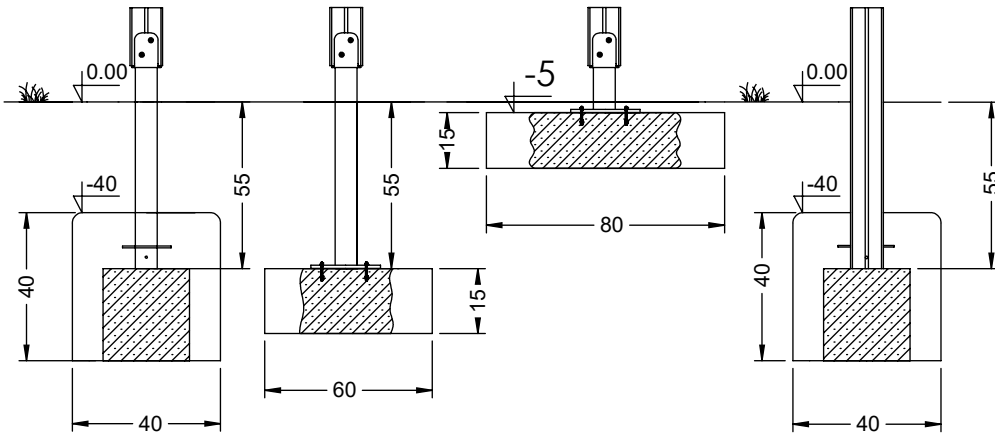
vinci
play

K1-(W)

K2

K3

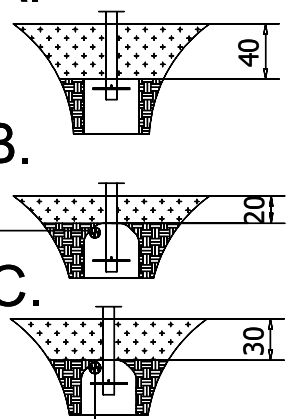
K1-(R)



A.

B.

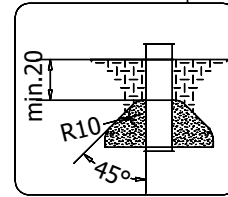
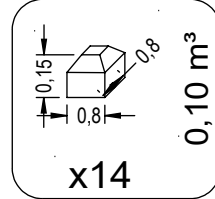
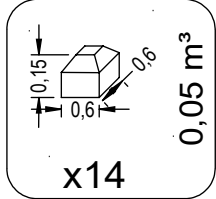
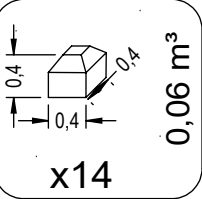
C.



K1

K2

K3

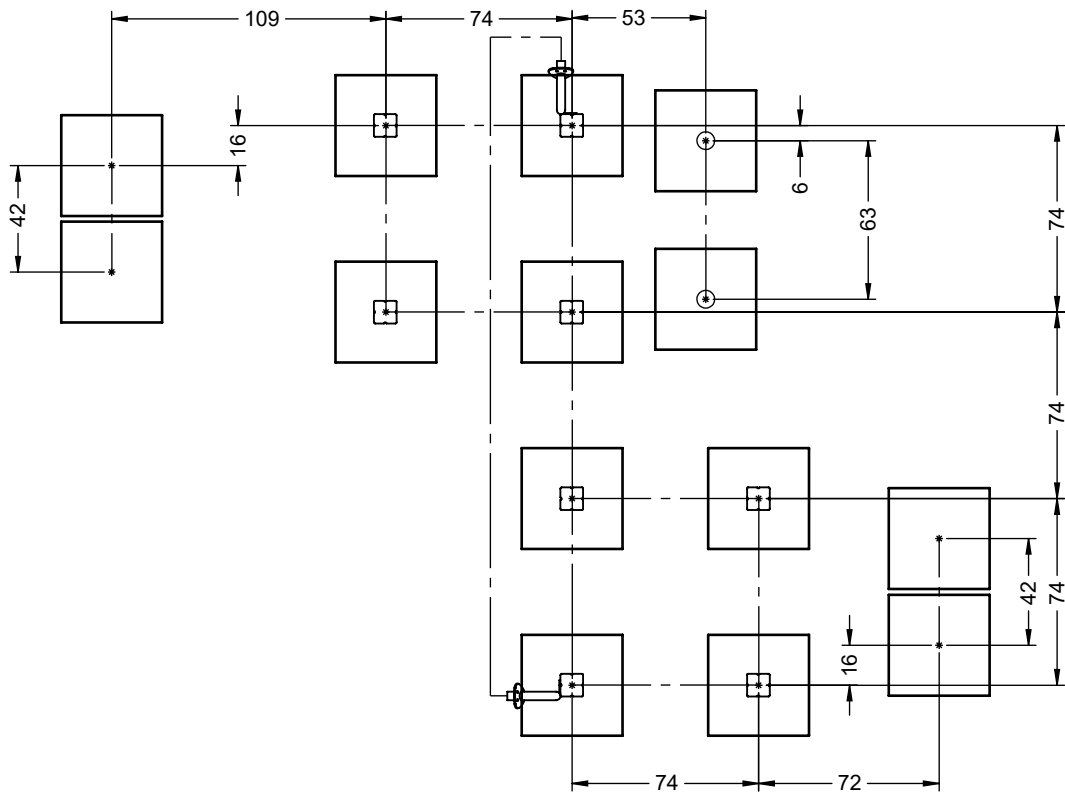
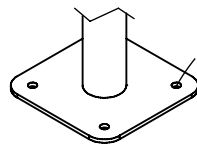


32x M10x120 (K2)
36x M10x120 (K3)

NOT INCLUDED

6x M8x120 (K2)
2x M8x120 (K3)

NOT INCLUDED



[cm]

6h

48h

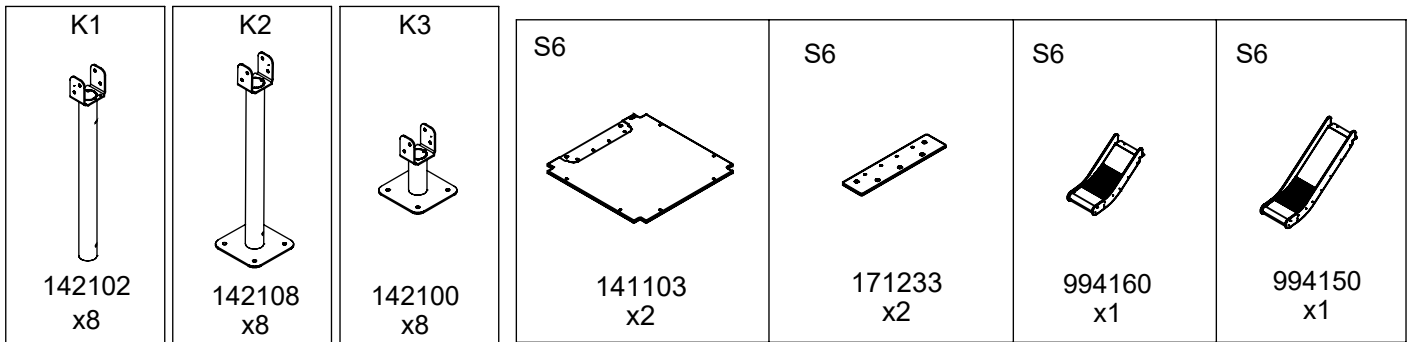
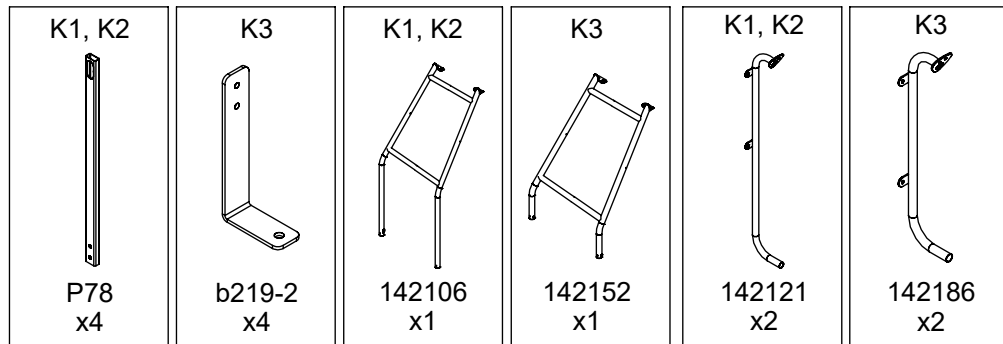
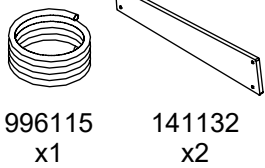
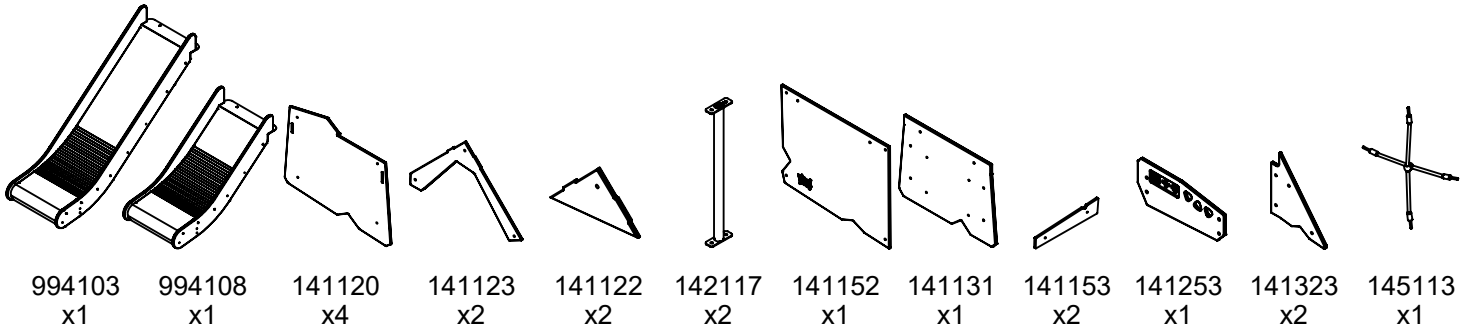
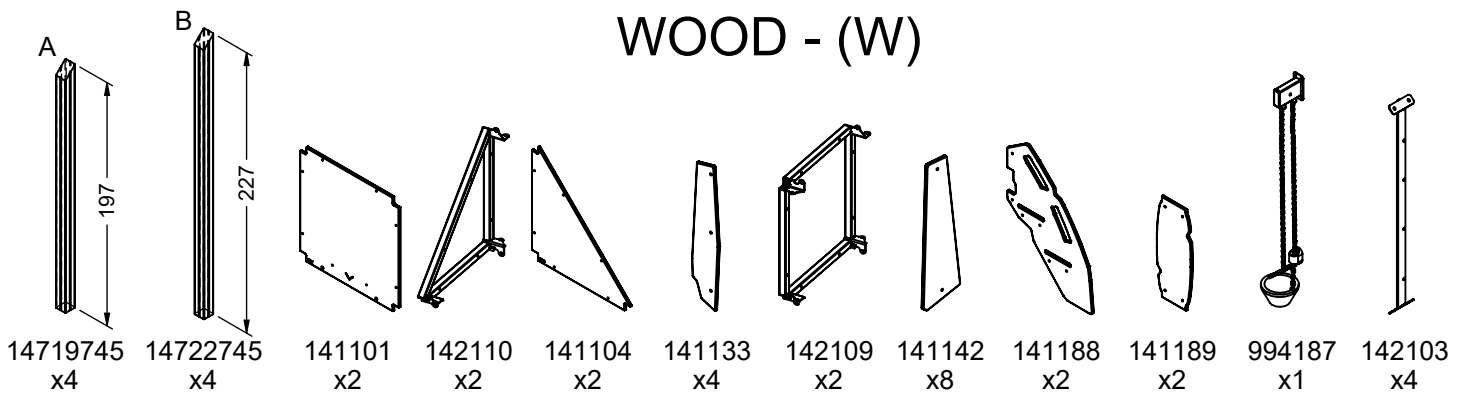
K1 x14 >0.06m³

K2 x14 >0.05m³

K3 x14 >0.10m³

vinci play

WOOD - (W)

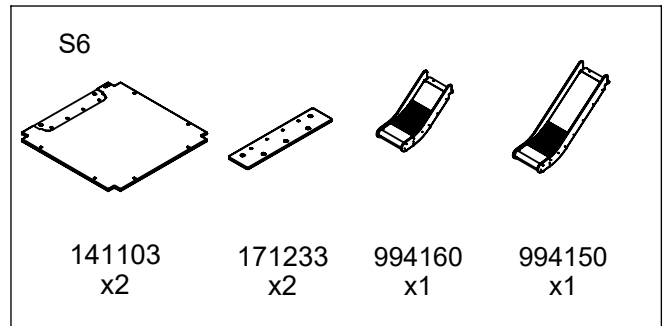
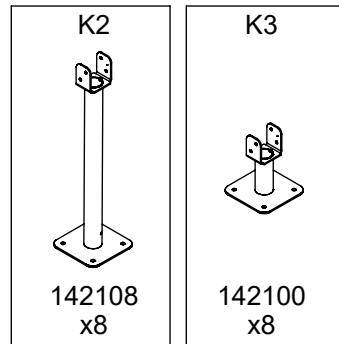
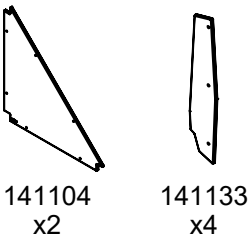
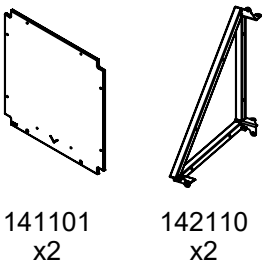
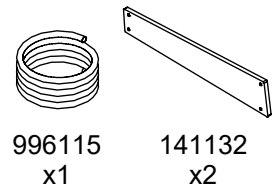
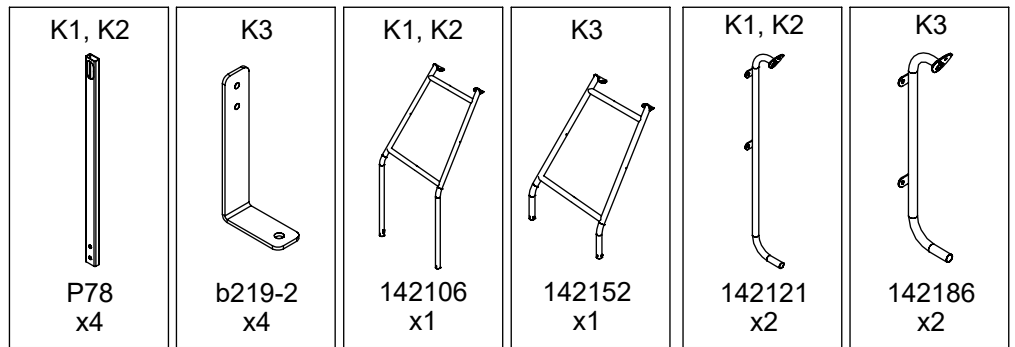
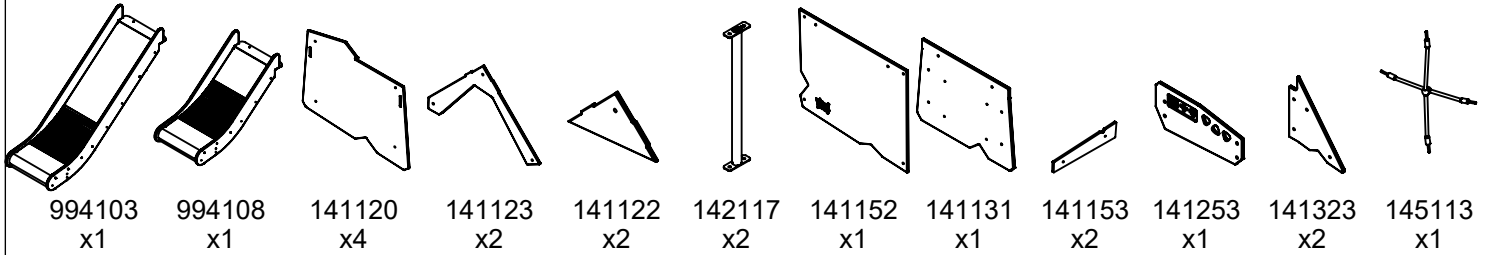
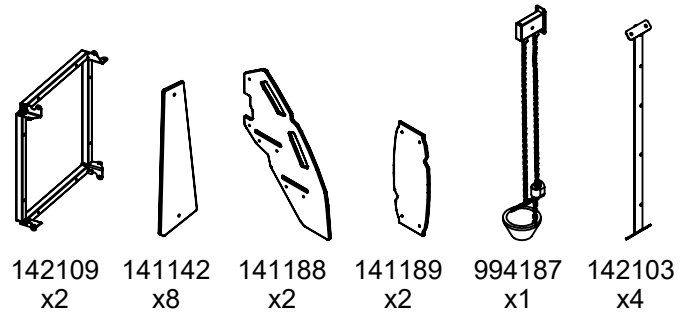
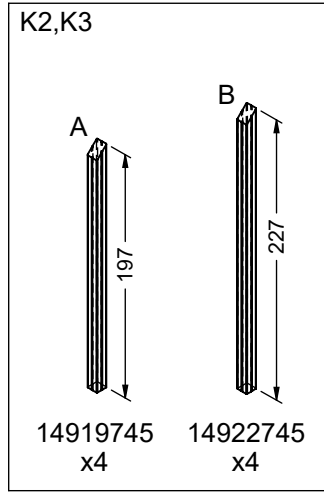
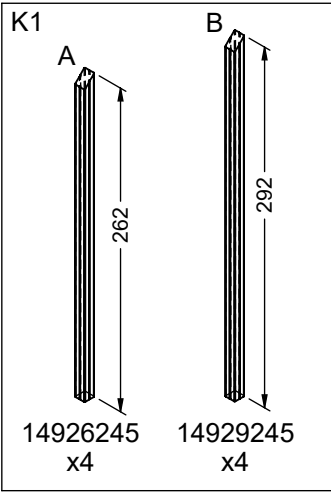


		PLYWOOD / HDPE		HPL	
136x	8x50 sxi	2x	WD28(s1)	2x	WD29(s1)
2x	6x50 sxs	2x	WD113(s6)	2x	WD114(s6)
2x	E34(K1,K3)	2x	WD33	2x	WD34
2x	E35(K2)	2x	WD63	2x	WD64
1x	E88(K2,K3)	2x	WD72	2x	WD73
2x	WD2	2x	WD74	2x	WD75
1x	WD14-4	1x	WD94	1x	WD95
2x	Z18	1x	WD132	1x	WD133
1x	V001	1x	WD134	1x	WD135
		1x	WD25	1x	WD26
		2x	WD182	2x	CL93
		2x	WD182Q (Q1)	2x	17p061 (s6)

[cm]

vinci play

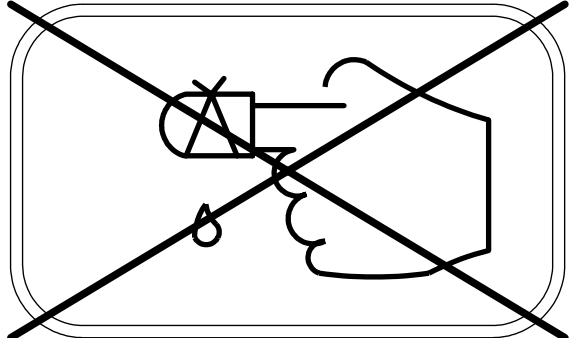
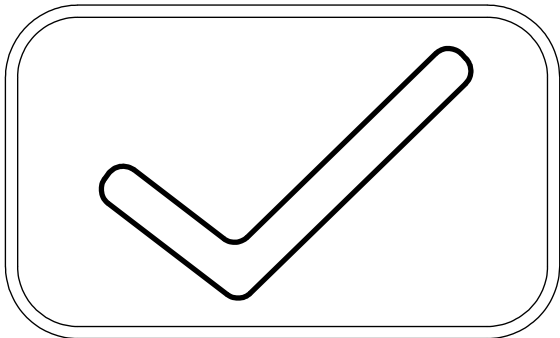
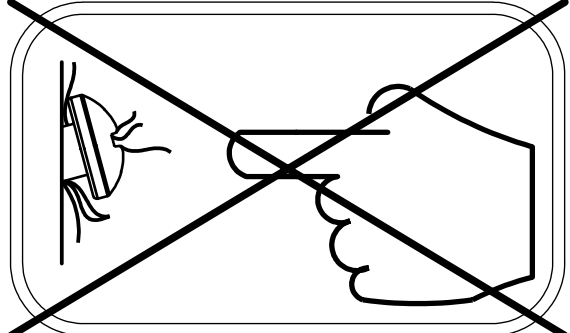
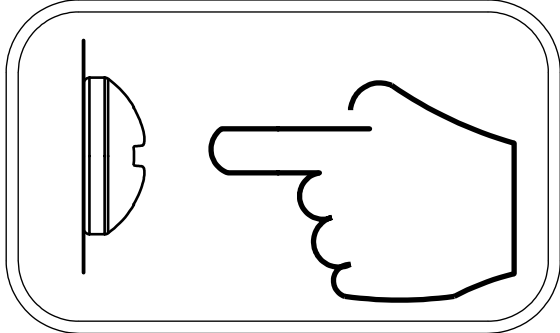
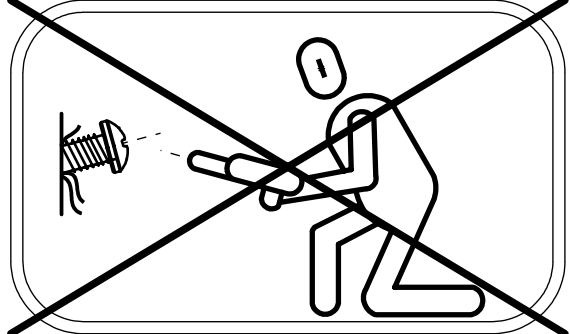
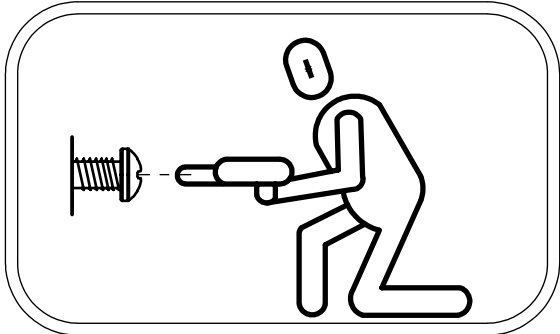
RECYCLED - (R)



		PLYWOOD / HDPE		HPL	
32x	8x50 sxi (K2,K3)	2x	WD28(S1)	2x	WD29(S1)
104x	8x50 sxi	2x	WD113(S6)	2x	WD114(S6)
2x	6x50 sxs	2x	WD33	2x	WD34
2x	E34(K1,K3)	2x	WD63	2x	WD64
2x	E35(K2)	2x	WD72	2x	WD73
1x	E88(K2,K3)	2x	WD74	2x	WD75
2x	WD2	1x	WD94	1x	WD95
1x	WD14-4	1x	WD132	1x	WD133
2x	Z18	1x	WD134	1x	WD135
1x	V001	1x	WD25	1x	WD26
		2x	WD182	2x	CL93
		2x	WD182Q (Q1)	2x	17p061 (S6)

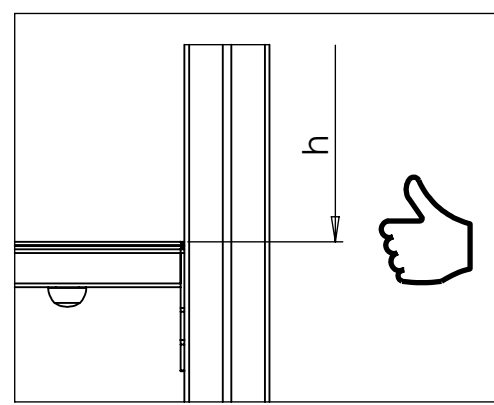
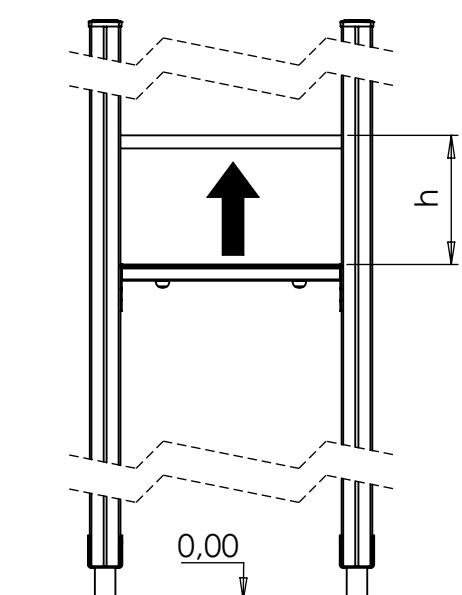
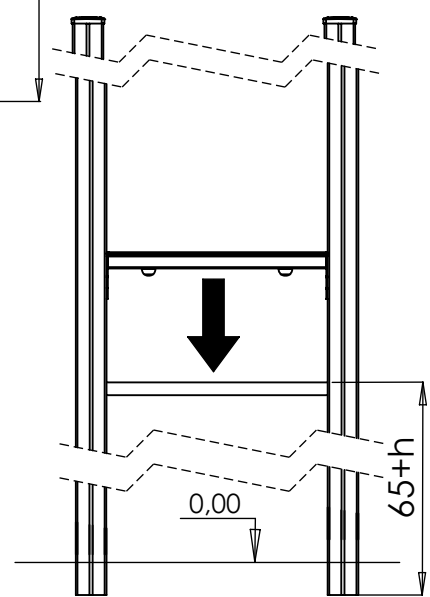
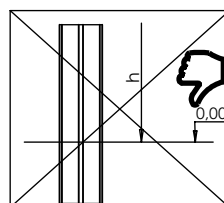
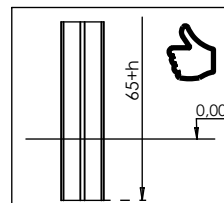
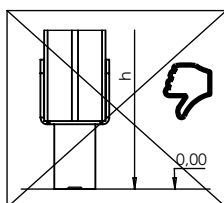
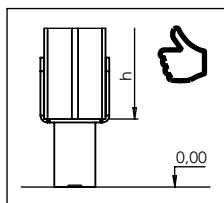
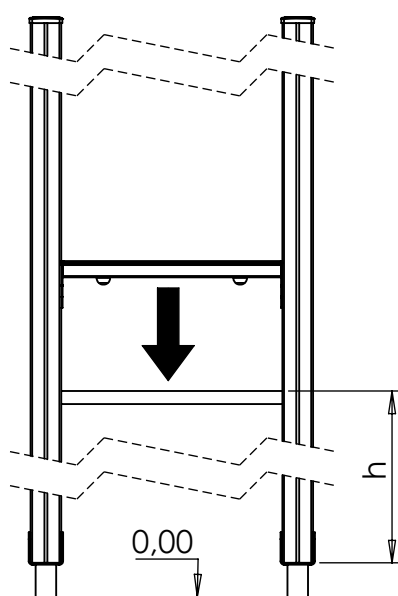
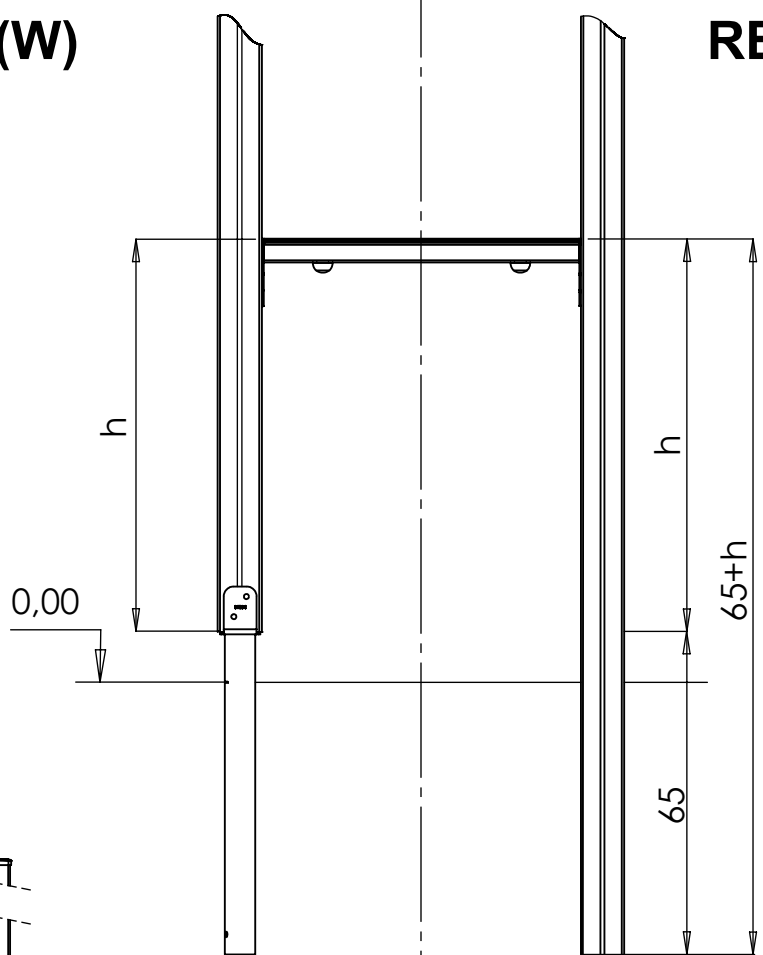
[cm]

vinci
play



WOOD - (W)

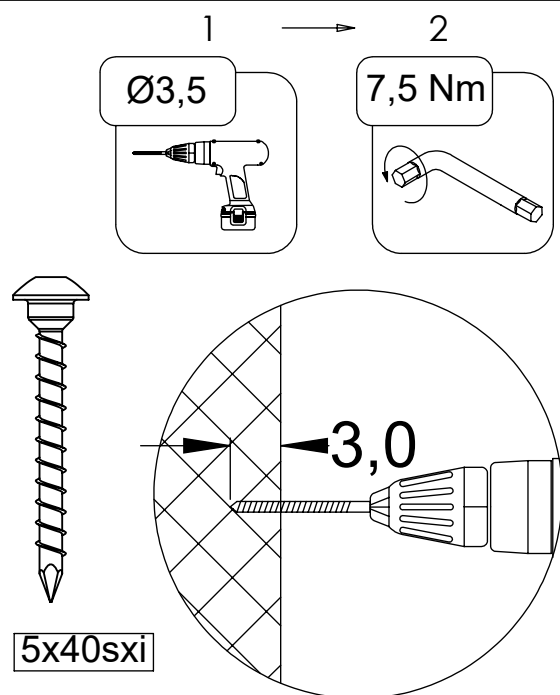
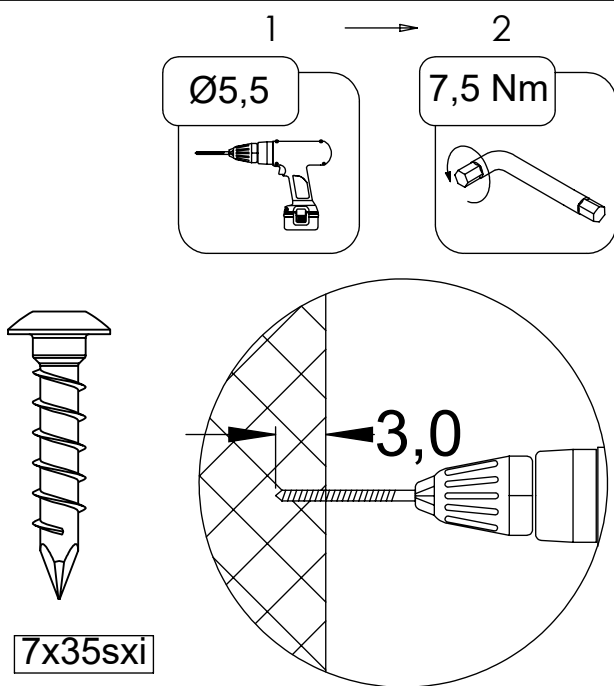
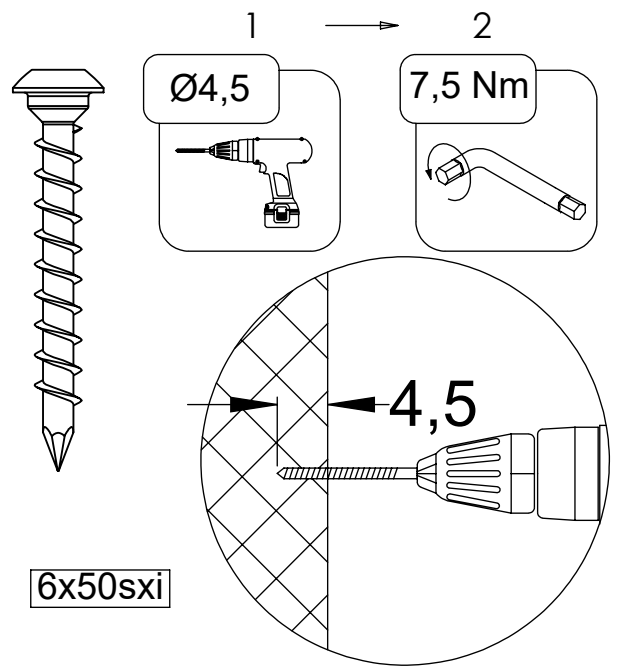
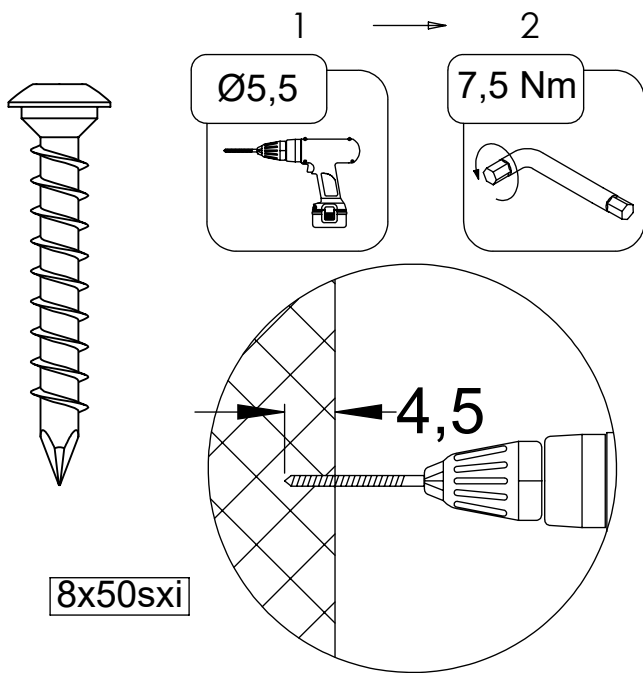
RECYCLED - (R)



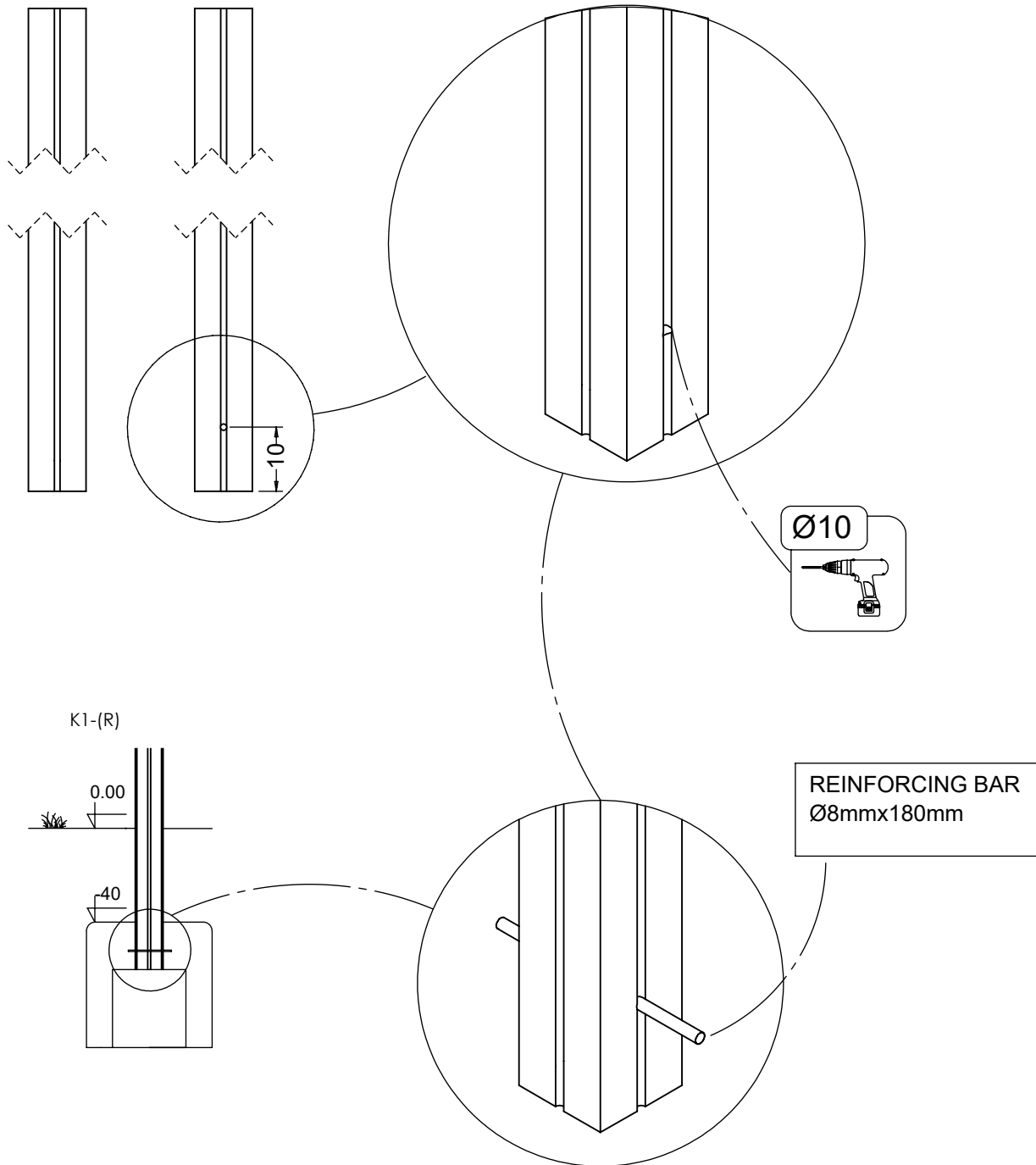
[cm]

vinci play

RECYCLED!



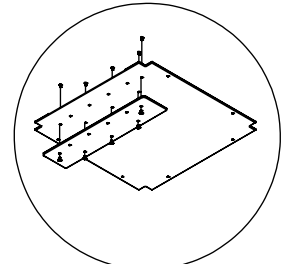
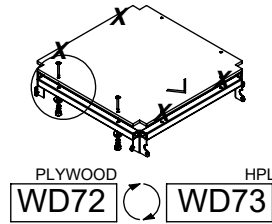
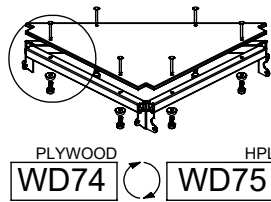
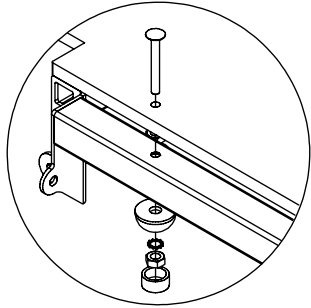
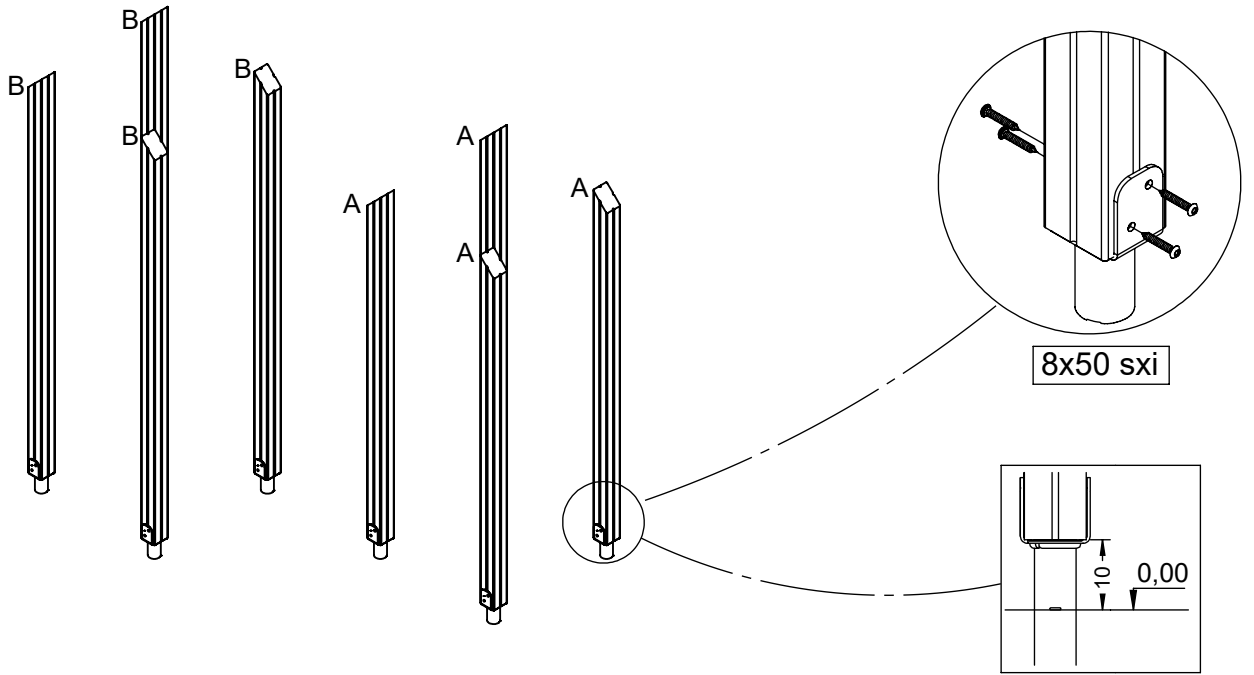
RECYCLED!



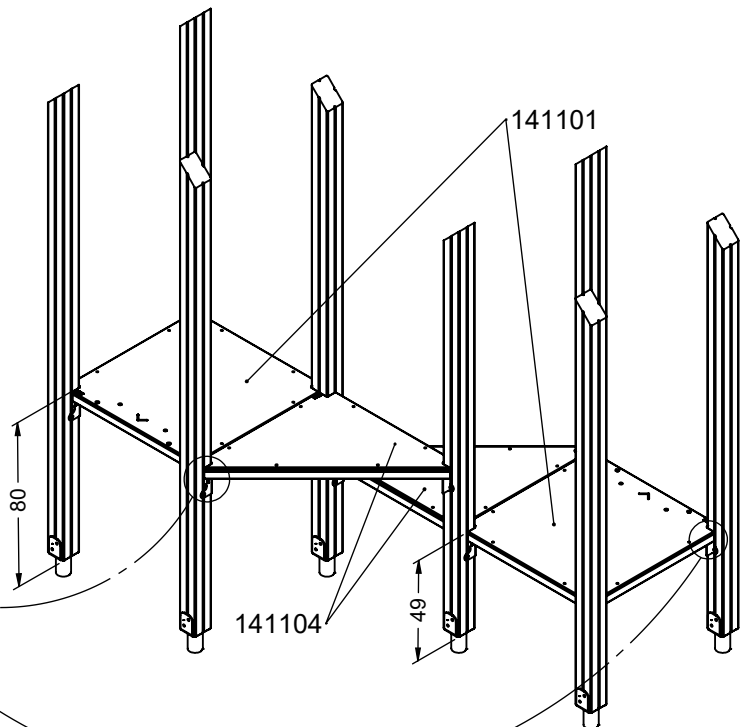
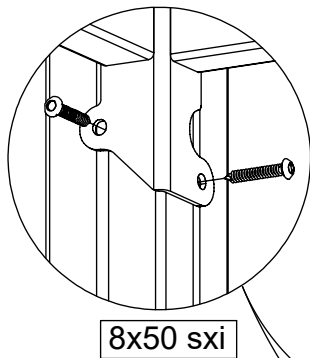
[cm]

vinci
play

K1,K2,K3 - (W)
K2,K3 - (R)



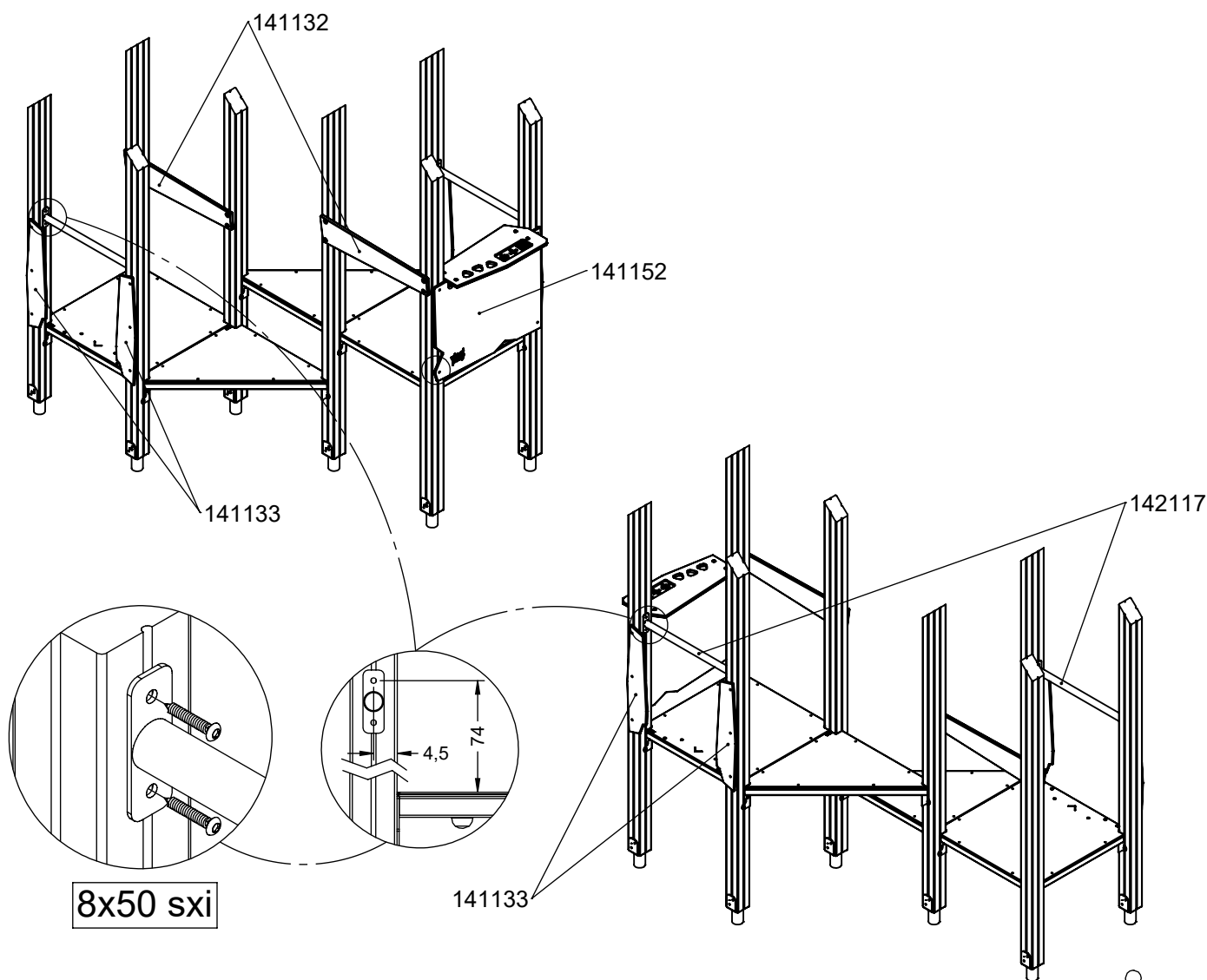
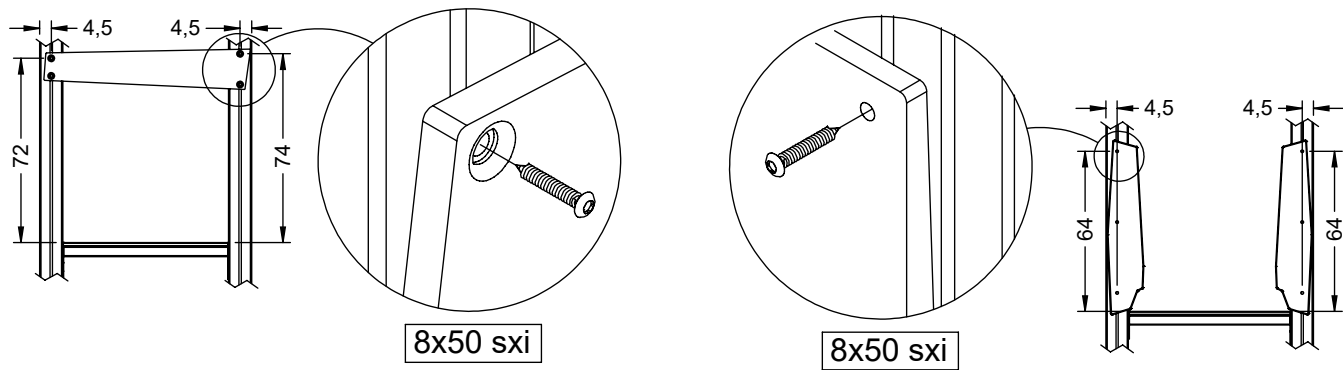
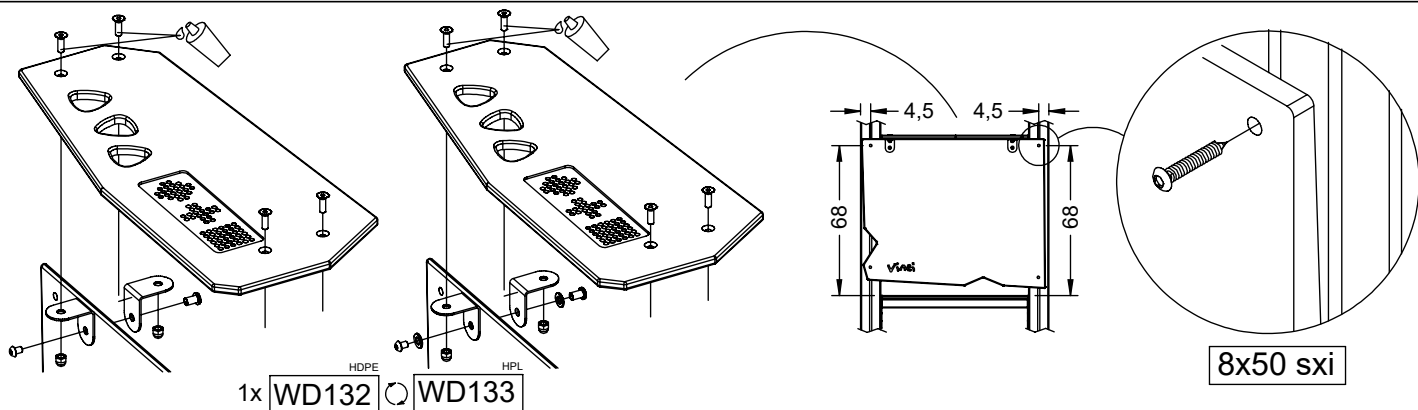
2x **17p061** s6



[cm]



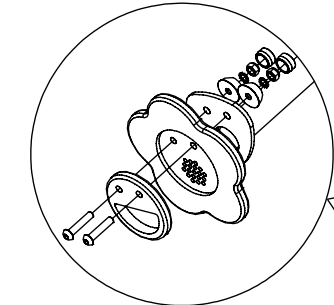
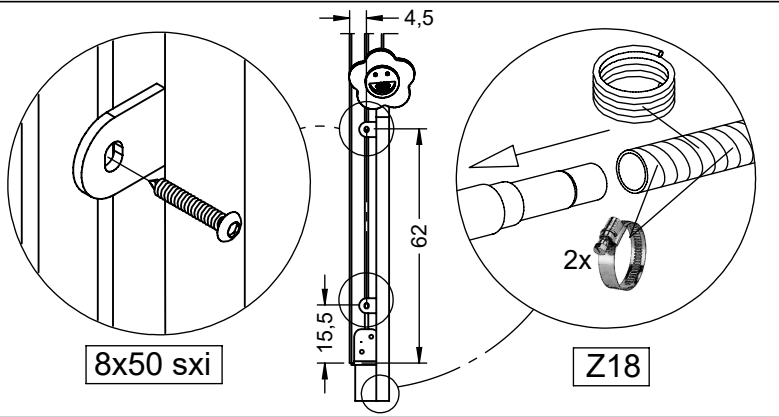
vinci
play



[cm]



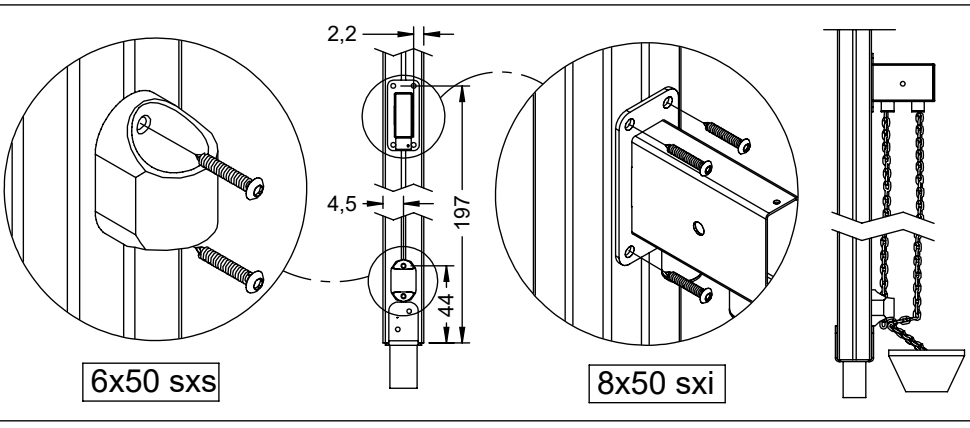
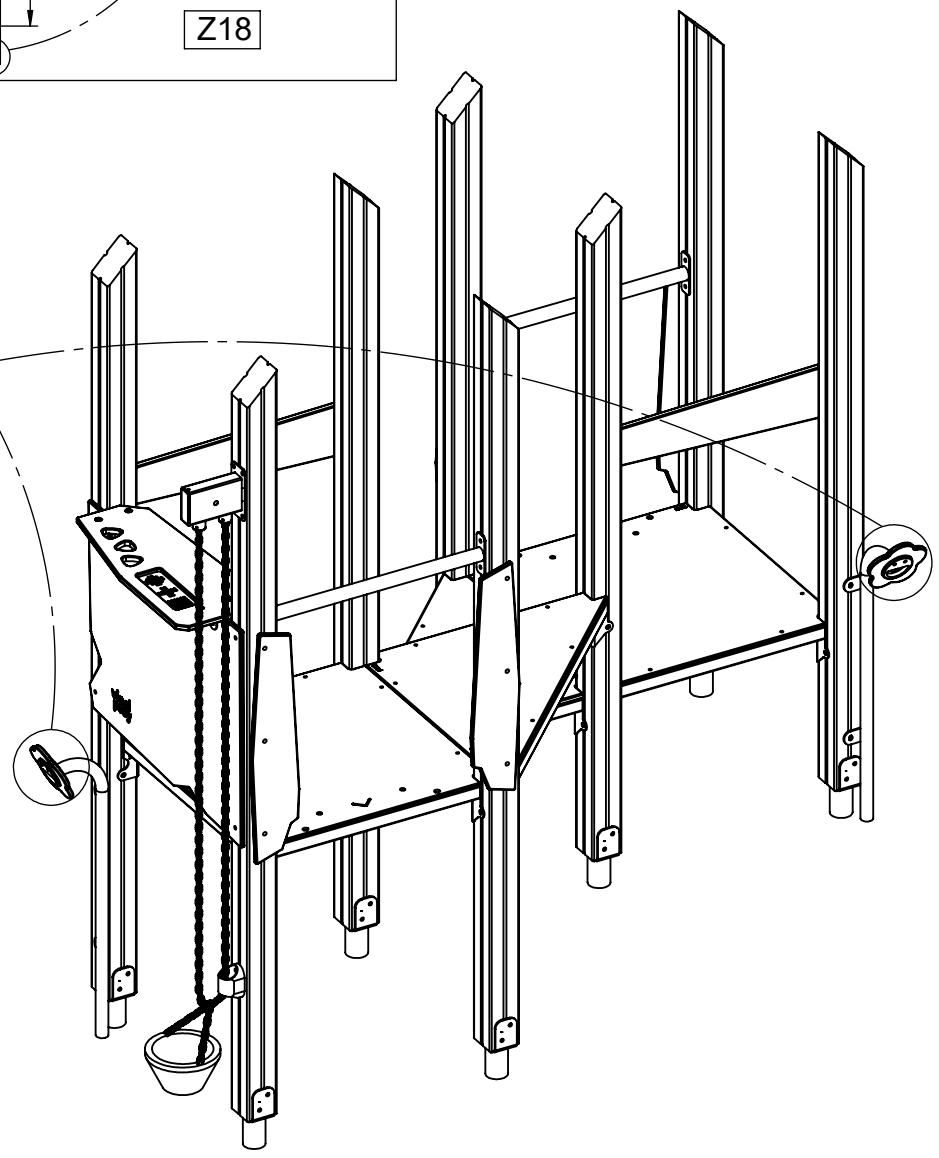
vinci
play



WD182

CL93

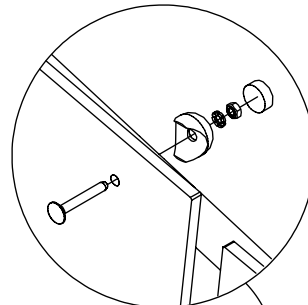
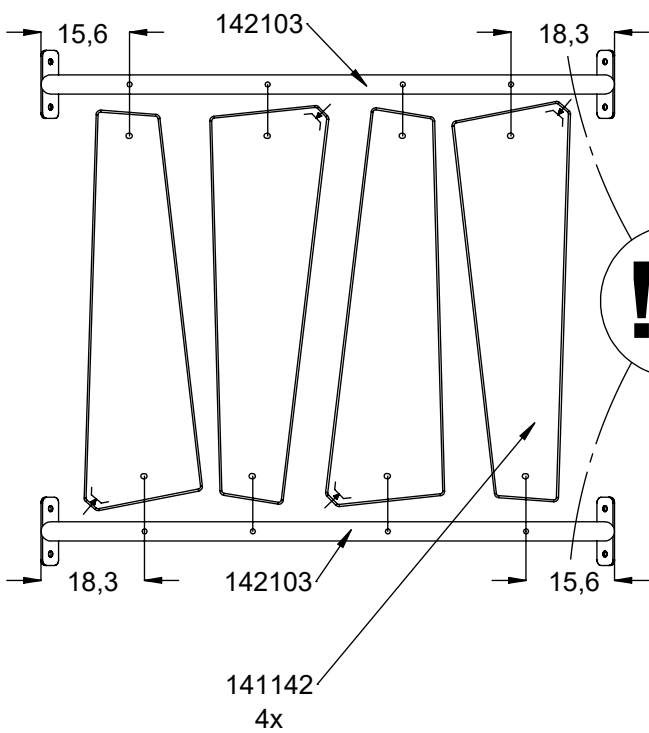
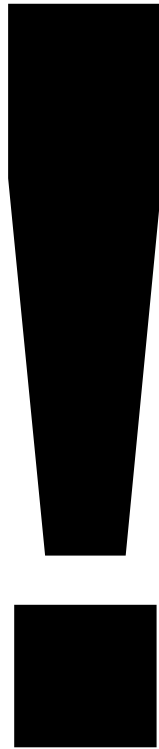
WD182 Q



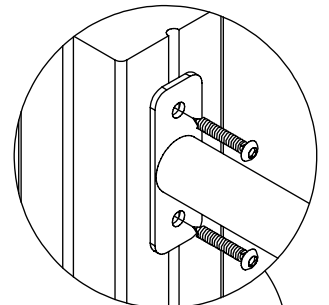
[cm]



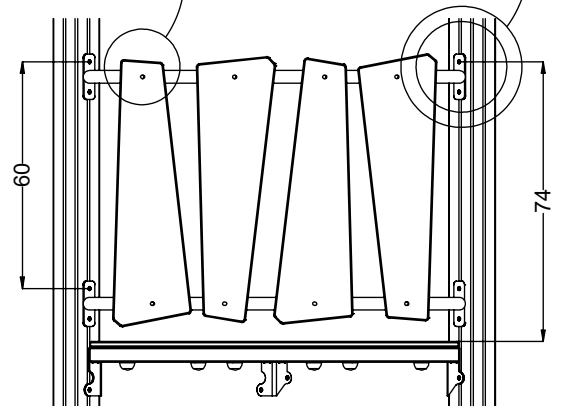
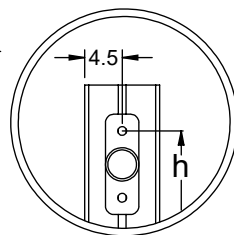
vinci
play



WD2



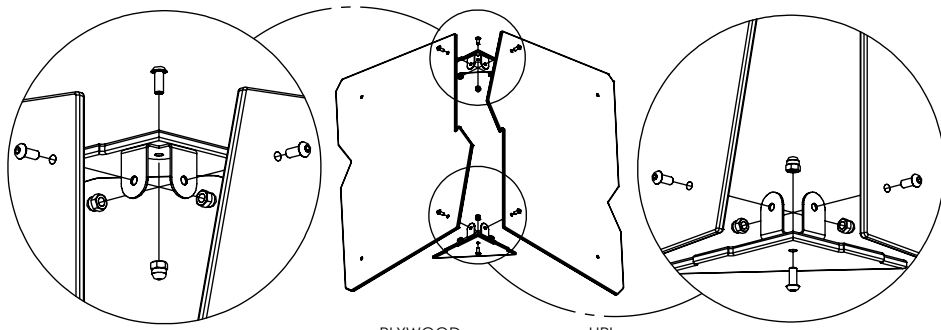
8x50 sxi



[cm]

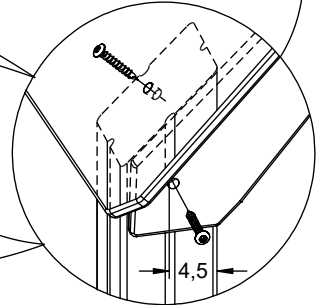
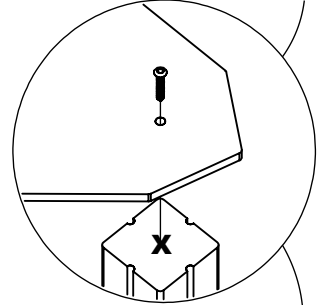
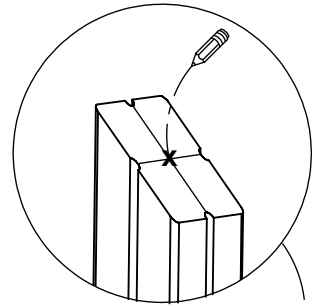


vinci
play

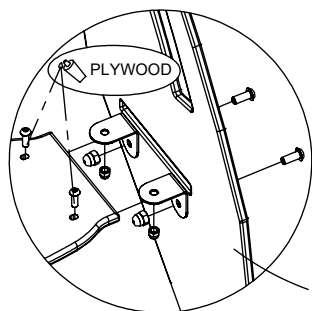
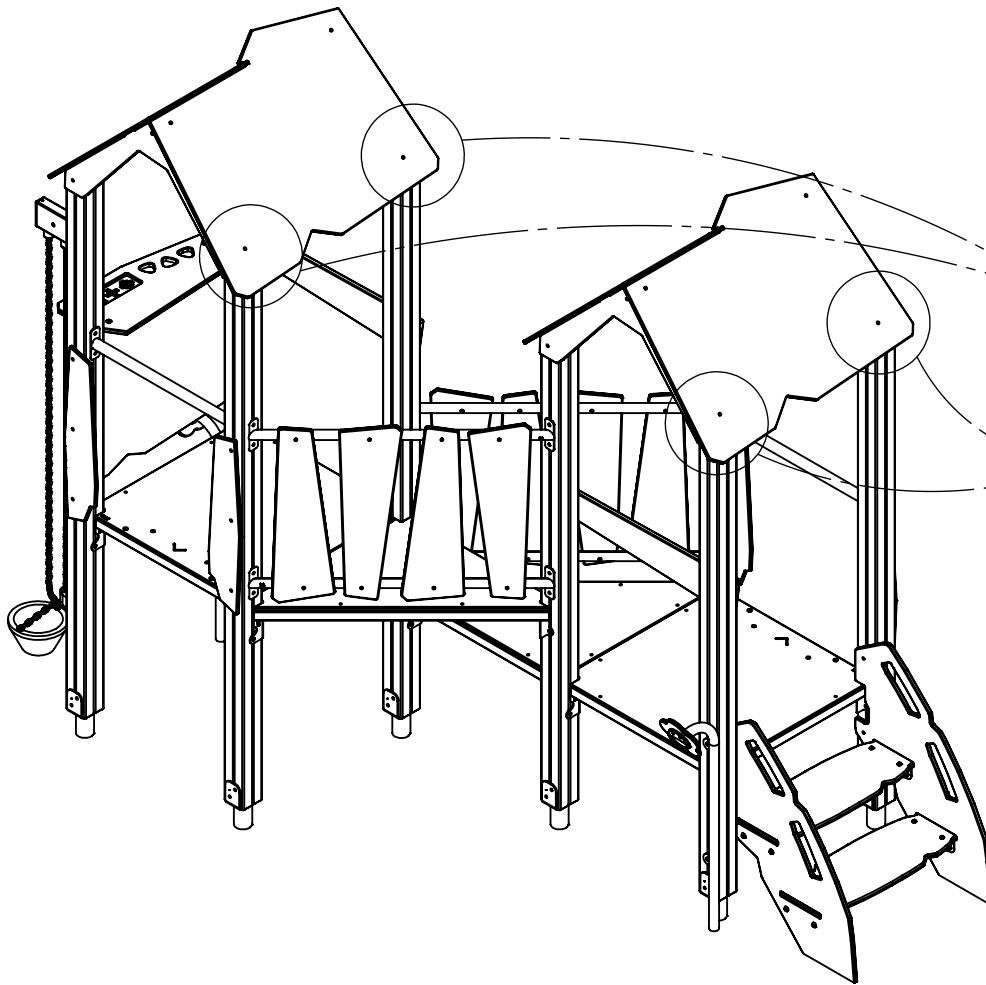


PLYWOOD
WD33

HPL
WD34

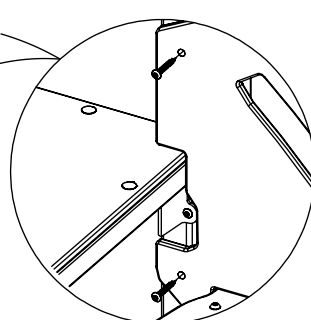
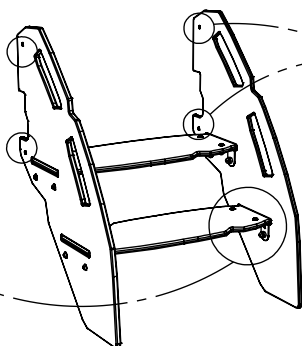


8x50 sxi



PLYWOOD
WD25

HPL
WD26

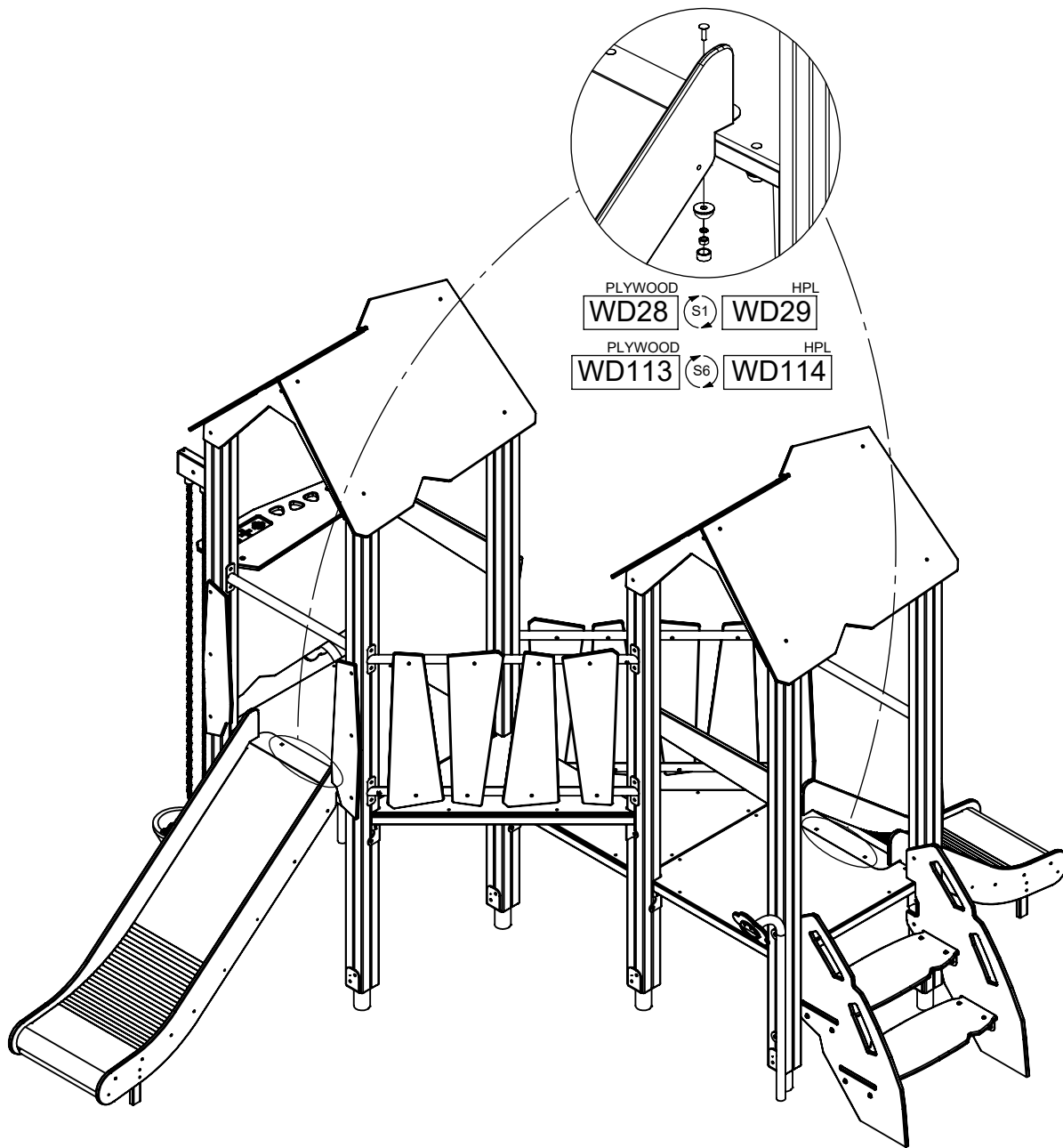


8x50 sxi

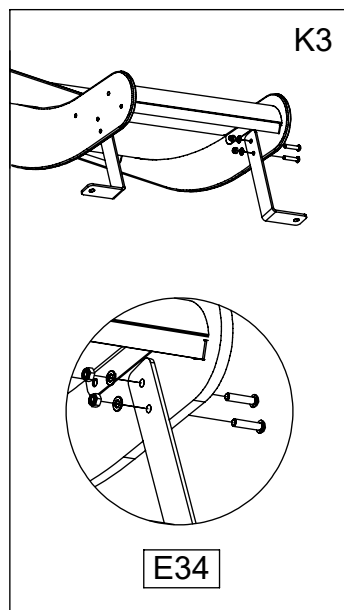
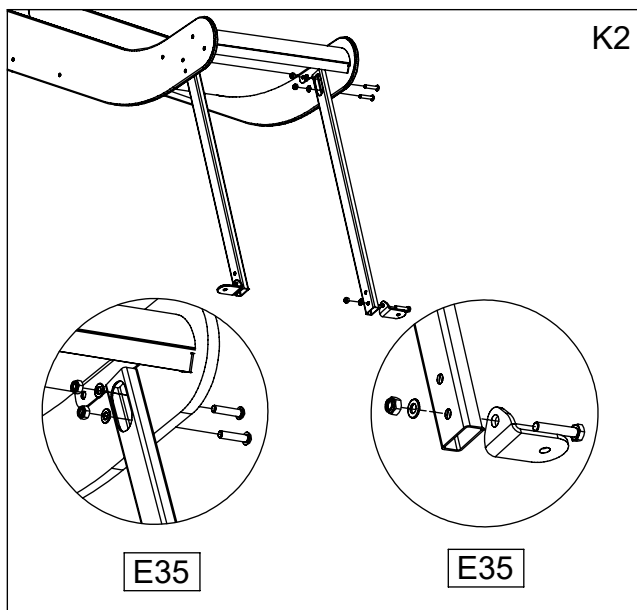
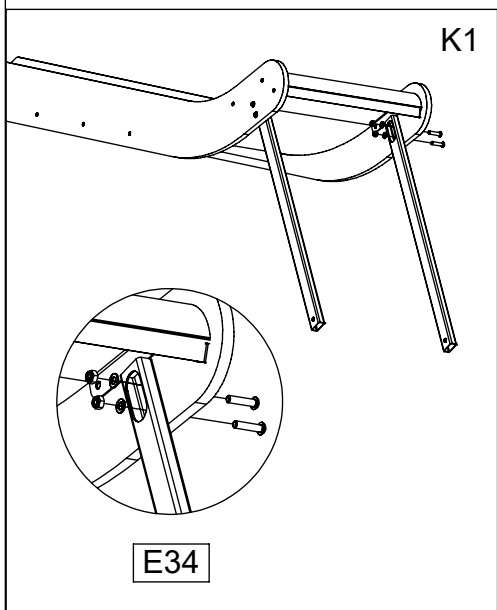
[cm]



vinci
play



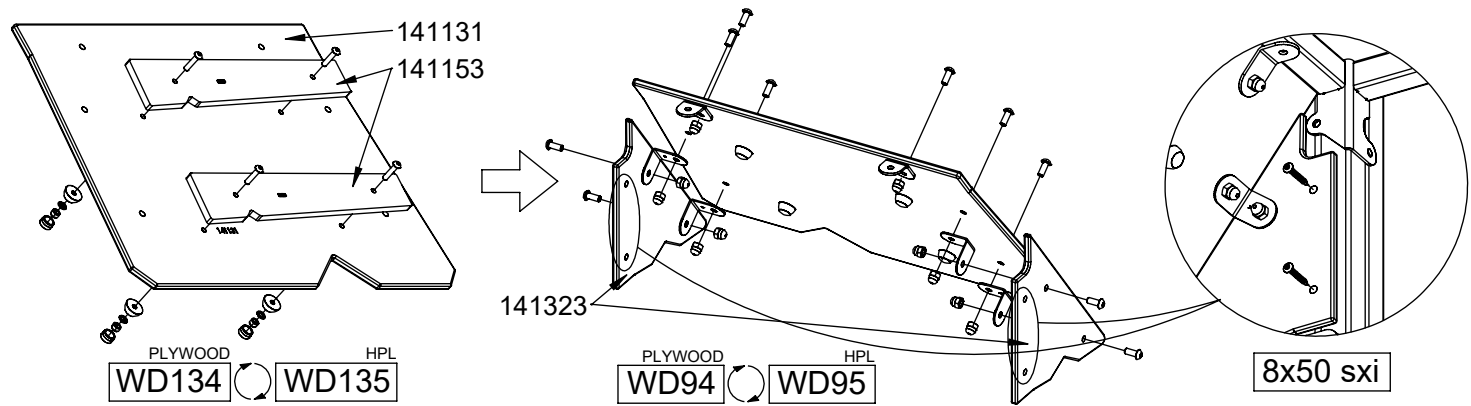
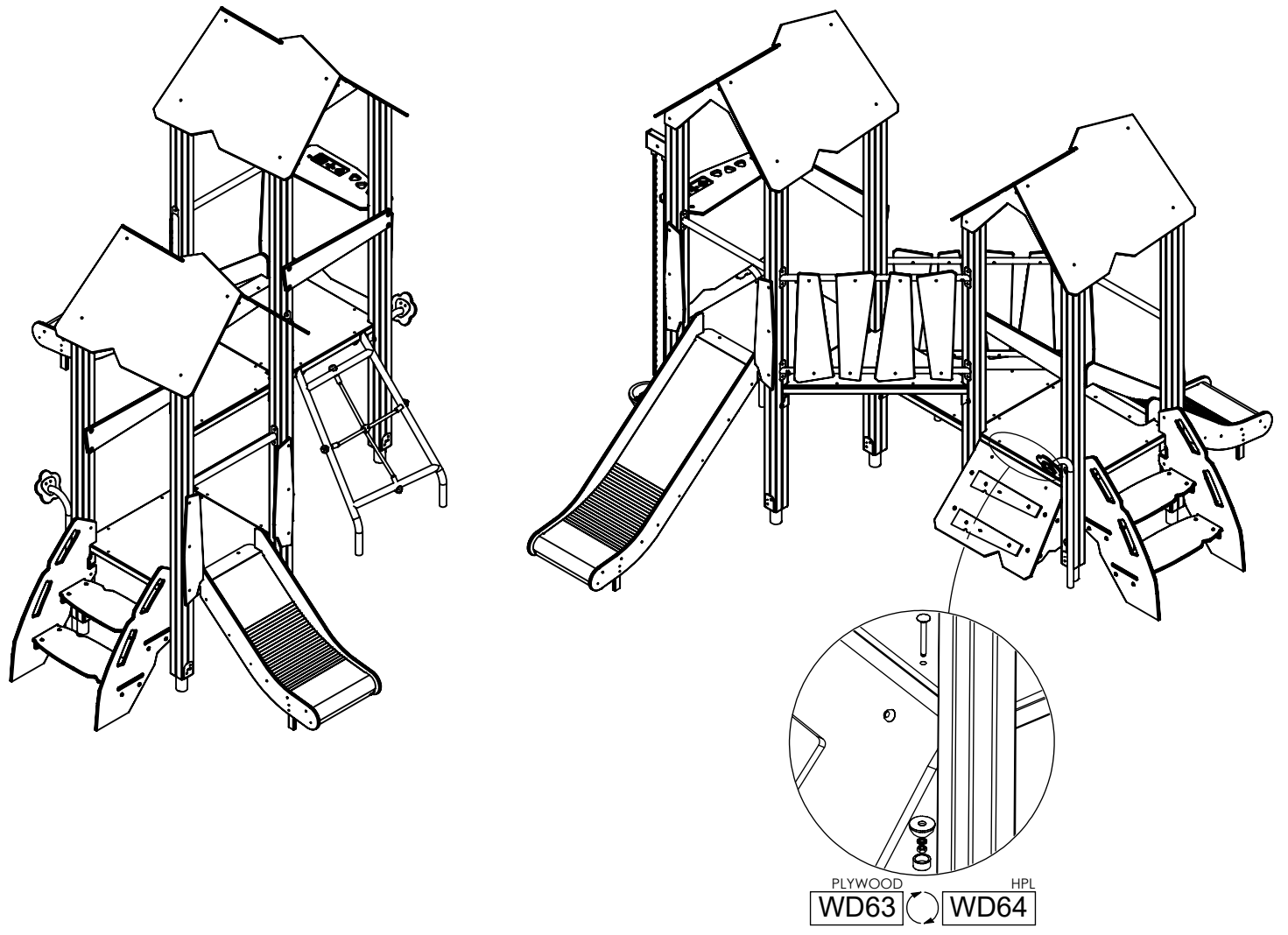
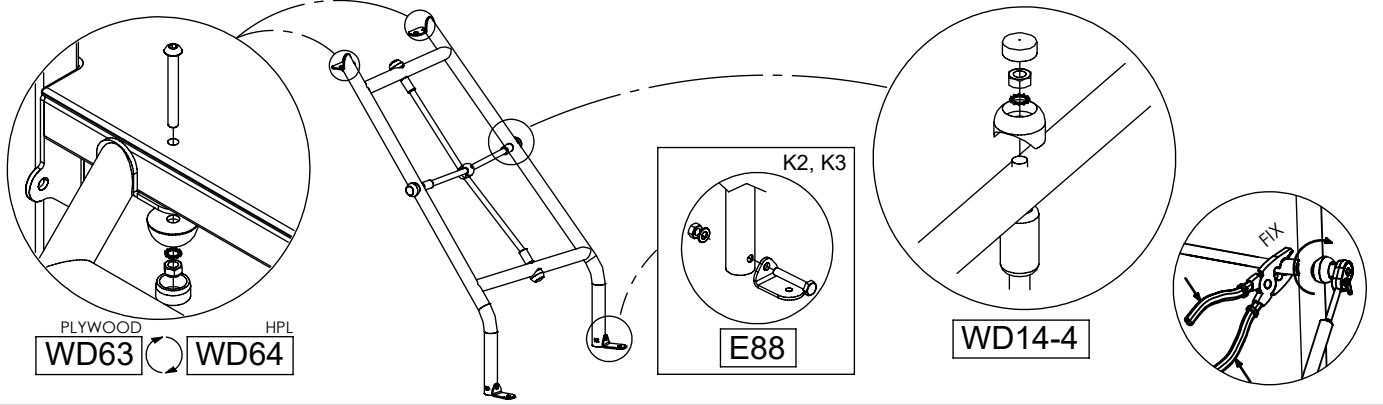
PLYWOOD WD28 S1 HPL WD29
 PLYWOOD WD113 S6 HPL WD114



[cm]



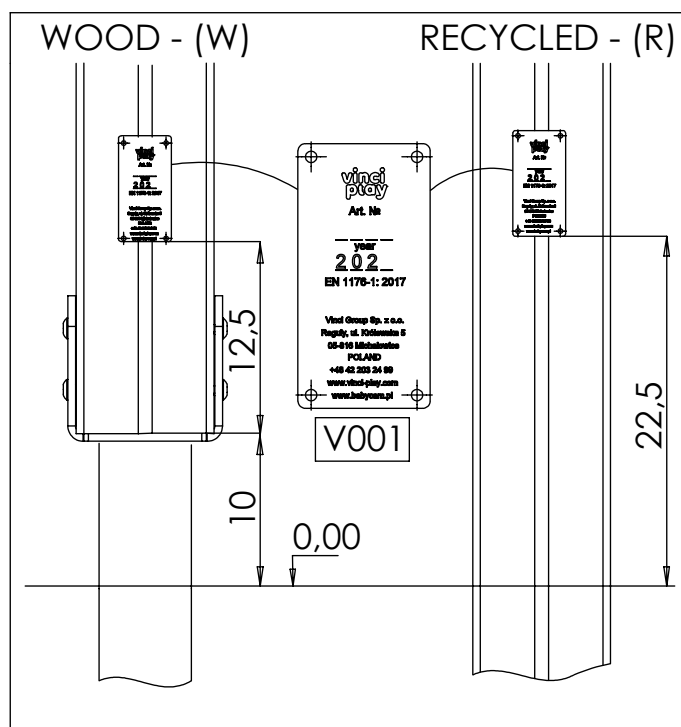
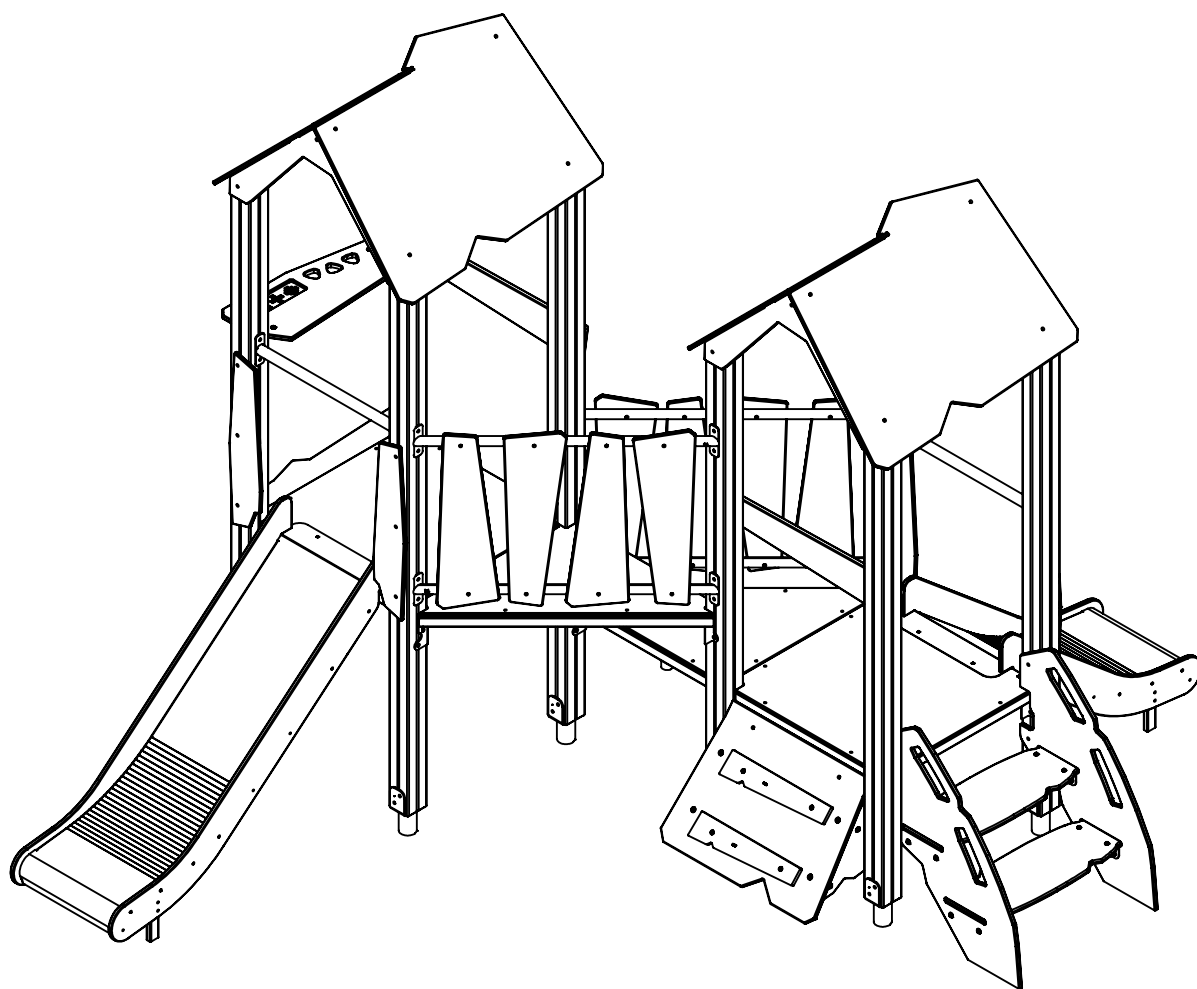
vinci
play



[cm]

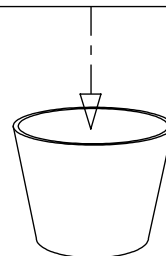


vinci
play



Part No:
000000-00000

000000-00000



[cm]



vinci
play